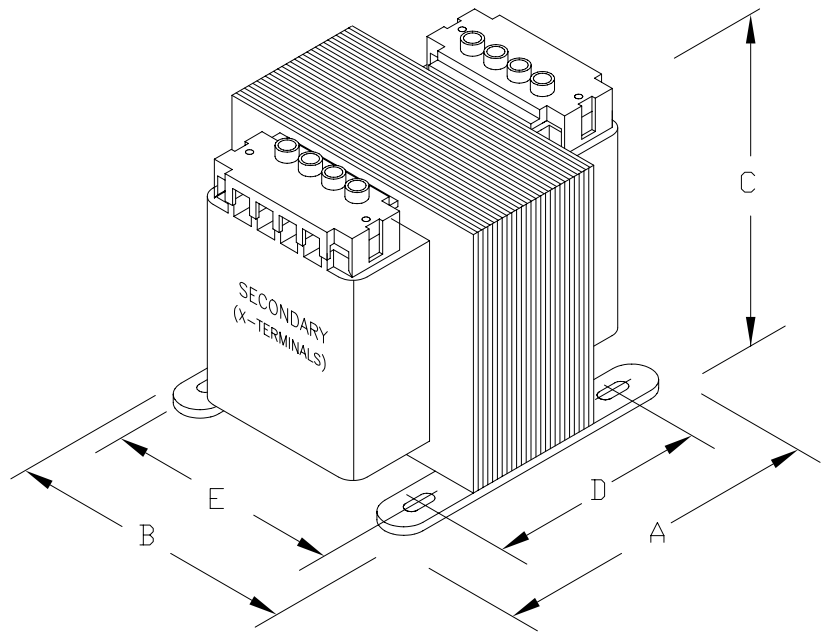


CONNECTION DIAGRAM



PROVIDED WITH SAFE TOUCH TERMINAL COVERS.
 NO INTEGRAL FUSING CAPABILITY.

DIMENSIONS							APPROX. WT. LBS (KG)
	A	B	C	D	E	MTG. SLOTS	
INCHES (MM)	3.38 (86)	3.00 (76)	3.00 (76)	2.44 (62)	2.50 (64)	0.203X0.460 (5.1X11.7)	



CAT.NO. B050-2041-GA		CONST. ENCAPSULATED		LISTED CERTIFIED IEC 61558	
		MODEL GLOBALTRAN			
RATING					
OUTPUT AMPS	0.43	PRIMARY V	550/575/600	TEMP. CLASS	HZ 50/60
VA	50	SECONDARY V	110/115/120	105°C	REVISION G