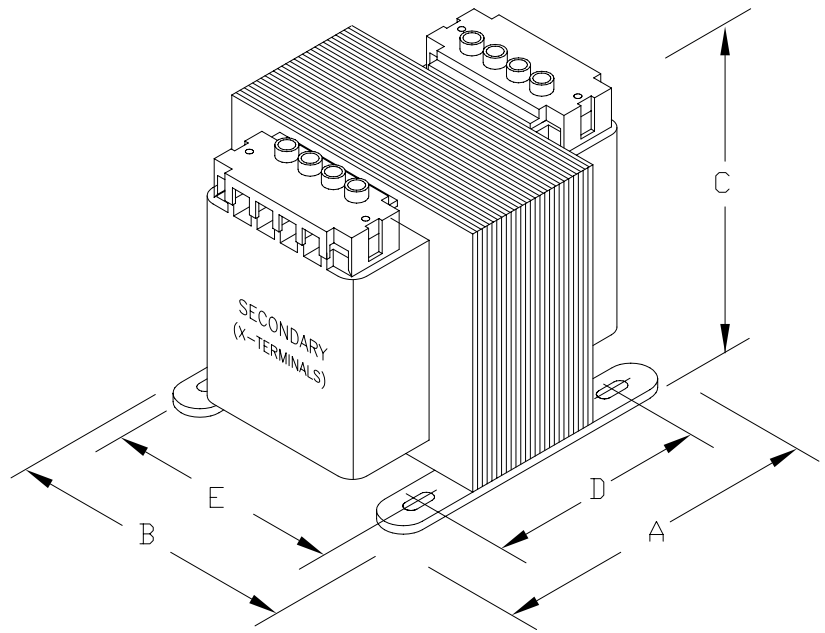


CONNECTION DIAGRAM



PROVIDED WITH SAFE TOUCH TERMINAL COVERS.
NO INTEGRAL FUSING CAPABILITY.

| DIMENSIONS | | | | | | | APPROX. WT. LBS (KG) |
|----------------|---------------|---------------|---------------|--------------|---------------|---------------------------|----------------------------|
| | A | B | C | D | E | MTG. SLOTS | |
| INCHES (MM) | 4.50 (114) | 5.25 (133) | 4.50 (114) | 3.88 (99) | 4.38 (111) | 0.313X1.063 (8.0X27.0) | |



| | | | | | |
|------------------------------|-------|----------------------------|-----|----------------------------------|-------------------|
| CAT.NO. B350-2058-GAF | | CONST. ENCAPSULATED | | LISTED CERTIFIED IEC 61558 | |
| | | MODEL GLOBALTRAN | | | |
| RATING | | | | | |
| OUTPUT AMPS | 14.58 | PRIMARY V | 380 | TEMP. CLASS | HZ 50/60 |
| VA | 350 | SECONDARY V | 24 | 130°C | REVISION G |