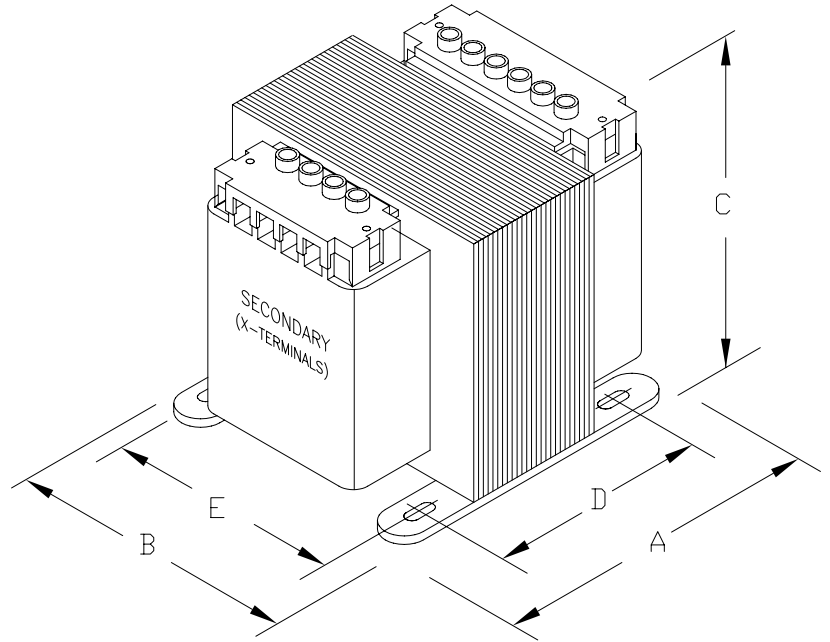


CONNECTION DIAGRAM



CONNECTION TABLE

INPUT VOLTAGE				OUTPUT VOLTAGE	
H5-H4	H5-H3	H5-H2	H5-H1	X3-X2	X3-X1
220	380	440	550	23	110
230	400	460	575	24	115
240	416	480	600	25	120

PROVIDED WITH SAFE TOUCH TERMINAL COVERS  
NO INTEGRAL FUSING CAPABILITY.

DIMENSIONS							APPROX. WT. LBS (KG)
	A	B	C	D	E	MTG. SLOTS	
INCHES (MM)	5.13 (130)	5.25 (133)	4.50 (114)	3.88 (99)	4.37 (111)	0.313X1.063 (8.0X27.0)	



CAT. NO.	<b>B350-2245-GAF</b>		CONST. <b>ENCAPSULATED</b>				UL LISTED
			MODEL <b>GLOBALTRAN</b>				
RATING							SP CERTIFIED
OUTPUT AMPS	14.6/3.0	PRIMARY V	240/416/480/600, 230/400/460/575, 220/380/440/550.		TEMP. CLASS	HZ 50/60	
VA	350	SECONDARY V	25/120, 24/115, 23/110,		130°C	REVISION <b>G</b>	CE IEC 61558