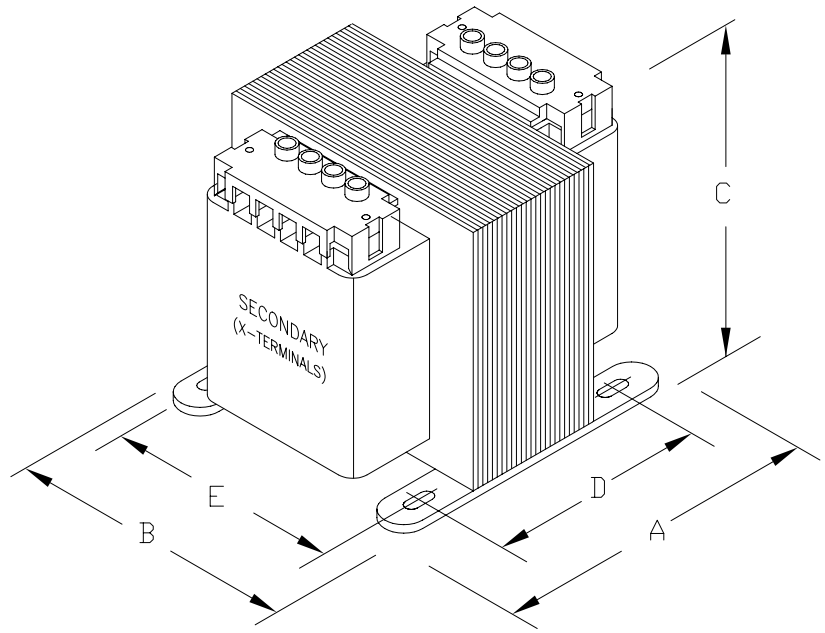


CONNECTION DIAGRAM



PROVIDED WITH SAFE TOUCH TERMINAL COVERS.  
NO INTEGRAL FUSING CAPABILITY.

DIMENSIONS							APPROX. WT. LBS (KG)
	A	B	C	D	E	MTG. SLOTS	
INCHES (MM)	5.13 (130)	5.25 (133)	4.50 (114)	4.38 (111)	4.38 (111)	0.313X1.063 (8.0X27.0)	



CAT. NO. <b>B500-2069-GAF</b>		CONST. <b>ENCAPSULATED</b>				UL LISTED	
		MODEL <b>GLOBALTRAN</b>					
<b>RATING</b>							SP CERTIFIED
OUTPUT AMPS	4.55/2.27	PRIMARY V	380/400/415		TEMP. CLASS	CE	
VA	500	SECONDARY V	110X220		130°C		IEC 61558
					HZ 50/60	REVISION <b>G</b>	