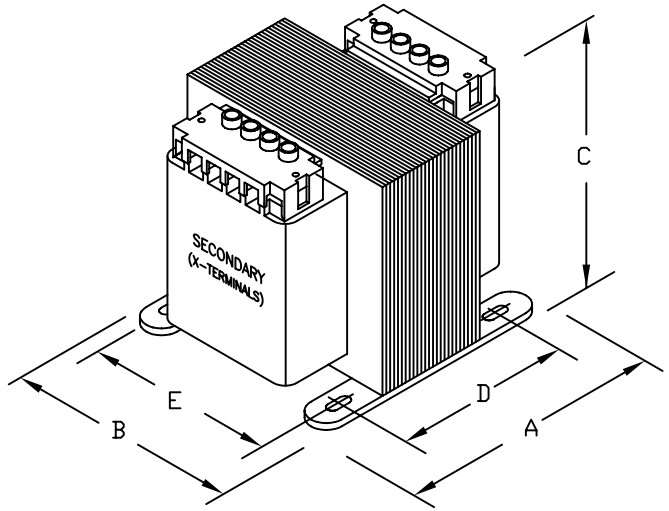


CONNECTION DIAGRAM

CONNECTION TABLE

PRIMARY		SECONDARY			
VOLT	TERM.	VOLT	TERM.	VOLT	TERM.
200	H4-H3	23	X3-X2	110	X3-X1
208	H4-H3	24	X3-X2	115	X3-X1
220	H4-H2	23	X3-X2	110	X3-X1
230	H4-H2	24	X3-X2	115	X3-X1
240	H4-H2	25	X3-X2	120	X3-X1
440	H4-H1	23	X3-X2	110	X3-X1
460	H4-H1	24	X3-X2	115	X3-X1
480	H4-H1	25	X3-X2	120	X3-X1



PROVIDED WITH SAFE TOUCH TERMINAL COVERS.
NO INTEGRAL FUSING CAPABILITY.

DIMENSIONS							APPROX.WT. LBS (KG)
	A	B	C	D	E	MTG. SLOTS	
INCHES (MM)	7.19 (183)	5.25 (133)	4.50 (114)	5.88 (149)	4.38 (111)	0.313X1.063 (8.0X27.0)	



CAT.NO.	B500-2109-GAF					CONST. ENCAPSULATED		UL LISTED
						MODEL GLOBALTRAN		
RATING								
OUTPUT AMPS	20.83/4.35	PRIMARY V	220/220/440, 208/230/460, 240/480			TEMP. CLASS	HZ	CE IEC 61558
VA	500	SECONDARY V	23/110, 24/115, 25/120			130°C	REVISION G	