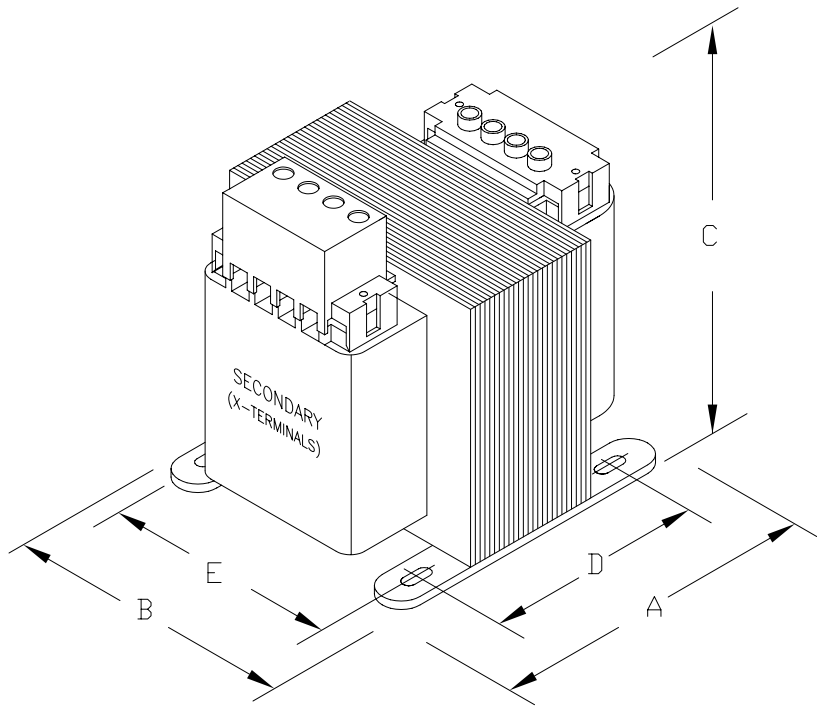


CONNECTION DIAGRAM



PROVIDED WITH SAFE TOUCH TERMINAL COVERS.  
 NO INTEGRAL FUSING CAPABILITY.

DIMENSIONS							APPROX. WT. LBS (KG)
	A	B	C	D	E	MTG. SLOTS	
INCHES (MM)	7.00 (178)	5.25 (133)	5.00 (127)	5.38 (137)	4.38 (111)	0.313X0.1063 (8.0X27.0)	



CAT. NO. <b>B750-2020-GAF</b>		CONST. <b>ENCAPSULATED</b>				LISTED CERTIFIED IEC 61558
		MODEL <b>GLOBALTRAN</b>				
<b>RATING</b>						
OUTPUT AMPS	31.25	PRIMARY V	240X480		TEMP. CLASS	HZ 50/60
VA	750	SECONDARY V	24		130°C	REVISION <b>G</b>