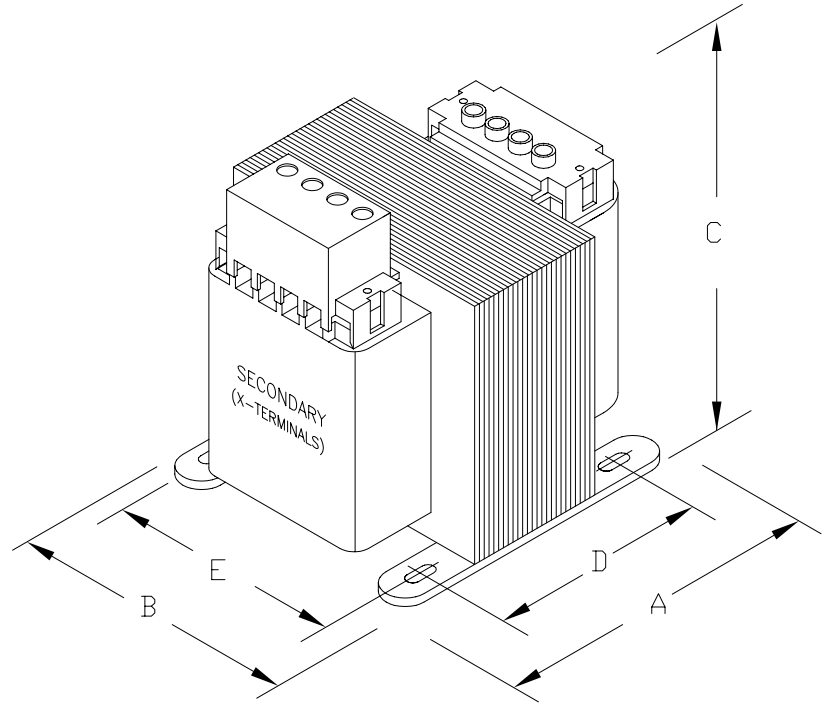


CONNECTION DIAGRAM



PROVIDED WITH SAFE TOUCH TERMINAL COVERS.
NO INTEGRAL FUSING CAPABILITY.

DIMENSIONS							APPROX. WT. LBS (KG)
	A	B	C	D	E	MTG. SLOTS	
INCHES (MM)	7.00 (178)	5.25 (133)	4.50 (114)	5.88 (149)	4.38 (111)	0.313X1.063 (8.0X27.0)	



CAT. NO. B750-2030-GAF		CONST. ENCAPSULATED		LISTED CERTIFIED IEC 61558
		MODEL GLOBALTRAN		
RATING				
OUTPUT AMPS	31.3	PRIMARY V	120X240	TEMP. CLASS
VA	750	SECONDARY V	24	130°C
				HZ 50/60 REVISION G