

1/20 to 2 Hp SCR DC Regen

REGENERATIVE DRIVES

FEATURES & BENEFITS

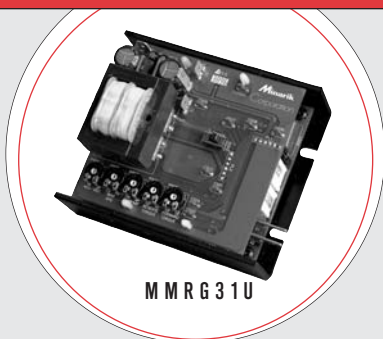
- **MM footprint:** Extremely compact size with an industry standard mounting footprint.
- **4Q reversing:** Regenerative/4 Quadrant drives have the ability to perform quick, contactorless reversing on-the-fly!
- **Speed range and regulation:** 1% regulation over 50:1 speed range.
- **User adjustable calibration pots:** IR compensation, max speed, forward current limit, reverse current limit and forward acceleration (reverse deceleration), reverse acceleration (forward deceleration).
- **Stopping modes:** The user can decelerate (N.O.), regeneratively brake (N.O.), or coast motor to a stop (N.C.).
- **Spade terminals:** Easy to use, lower cost, and able to fit in a smaller package.
- **Options and accessories:** 201-0024 inhibit plug with 18" leads for regenerative brake option and 200-0386 limit switch logic board.
- **-PCM option:** Add a "-PCM" to the end of the part number to receive the drive with an isolation transformer daughter card. Drive will then be able to follow a -10 to +10V signal for variable speed control.

MMRG Series Specifications

Models	Input Voltage (AC/DC)	Output Voltage (VDC)	Output Current (amps)	Peak Current (amps)	Form Factor	Hp Rating
MMRG31U	115	90	3	5	1.37	1/20 - 1/8
MMRG30U	115	90	10*	15	1.37	1/8 - 1
MMRG40U	230	180	10*	15	1.37	1/4 - 2

*Requires 223 - 0159 heat sink above 5 amps. Drives operate from 50 - 60 Hz.

MMRG Series



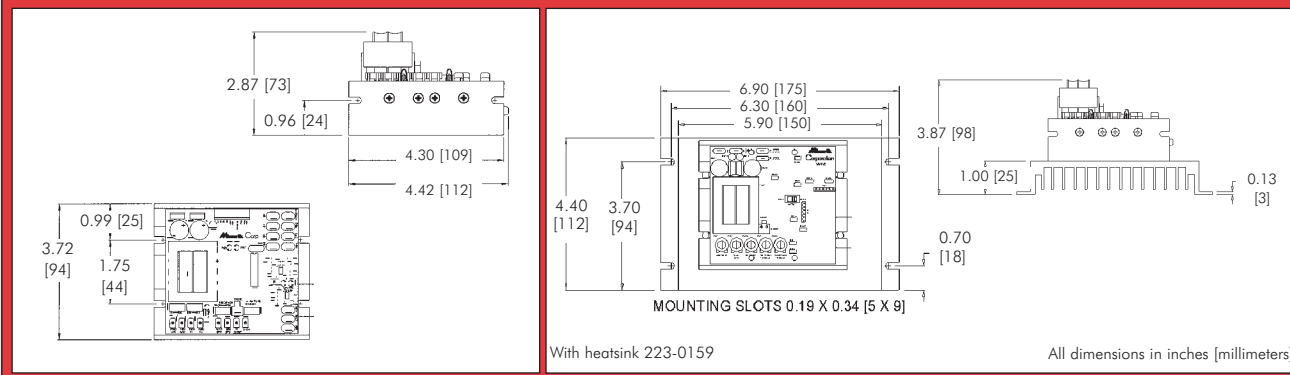
Typical Applications

- Door Controls
- Packaging Machines
- Indexing
- Elevated Conveyors
- Web Tensioning

The MMRG Series, is one of the smallest full-wave four-quadrant drives on the market today. These full-featured, compact drives match brush-type DC motors ranging from 1/20 to 2 Hp.

The MMRG Series provides all the performance of a full size, four quadrant, regenerative variable speed drive and has our popular MM23001 footprint (3.72" x 4.42"). This drive will maintain motor speed with smooth motoring and braking torque, and allow high-duty cycle reversing and braking. It has an adjustable current limit, 1% of base speed regulation, and can regulate within a 50:1 speed range (open loop).

MMRG Dimensions



For matching DC motors, see pages 37 to 48.