

**MEF EMC-FILTER 1-PHASE 1-STAGE**

I:10A U:250 VAC/300 VDC snap on

Current: 10 A

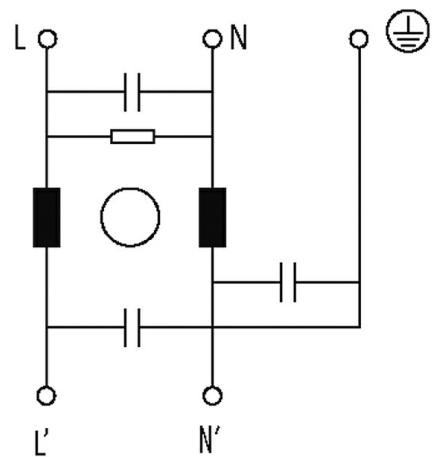
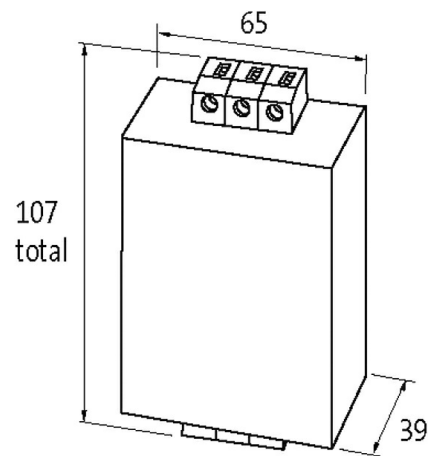
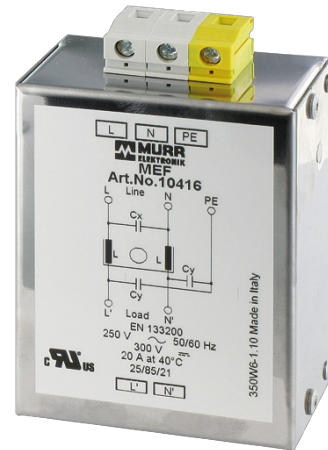
DIN-rail mountable

for universal applications

Attenuation curves on request.

**Illustration**

stay connected



Product may differ from Image

**Approvals**



**General data**

Climatic category	25/085/21 (EN 60068-1)
Test isolation voltage	2.7 kV (L - N), 2 s; 2.1 kV (L - L), 2 s (EN 60939-2)
Connection	Screw connection, touch protected

Mounting method	DIN-rail mountable TH35 (EN 60715)
Dimensions H×W×D	107×65×39 mm

**Technical Data**

Operating voltage	max. 250 V AC/300 V DC
Operating frequency	50...60 Hz
Consumption	max. 5 mA (250 V AC)
Overload current	18× (IN t) max. 0.5 ms; 1.5× (IN t) max. 1 min. (1× per hour)
Connection cross section	0.2...6 mm <sup>2</sup> single core (AWG 24...9); 0.2...4 mm <sup>2</sup> multiple core (AWG 24...11)

**Commercial data**

country of origin	IT
customs tariff number	85363010
EAN	4048879029407
eClass	27130806
Packaging unit	1