

MOTOR SUPPRESSOR

Varistor, 3x575VAC/10kW

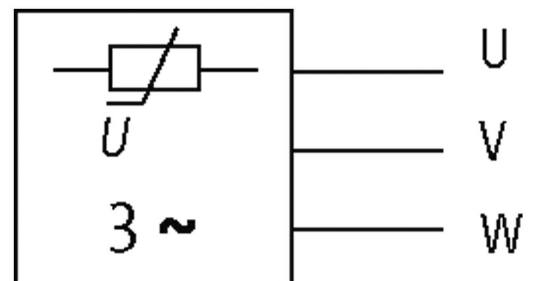
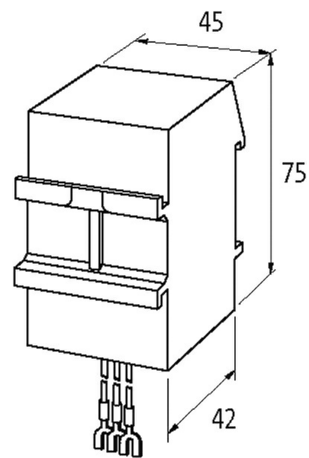
3× 575 V AC

VDR

Suppressors for other voltages, frequencies, and motor ratings available on request. Do not use RC motor suppressors with frequency inverters.

Illustration

stay connected



VDR

Product may differ from Image

Approvals



General data

Connection	approx. 250 mm, single cores 0.5 mm ² , with self-securing fork terminal ends M4
Dimensions H×W×D	75×45×42 mm
Temperature range	-20...+60 °C

Technical Data

Frequency	10...400 Hz
Material	Flame retardant plastic acc. to (UL 94)
Potting compound	2-component epoxy

Commercial data

country of origin	CZ
customs tariff number	85363010
EAN	4048879019545
eClass	27371013
Packaging unit	1