

MOTOR SUPPRESSOR

Varistor, 3x400VAC/4kW

3× 400 V AC

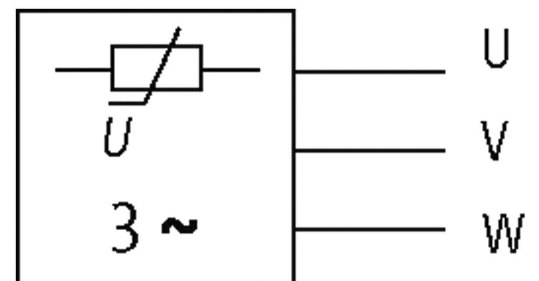
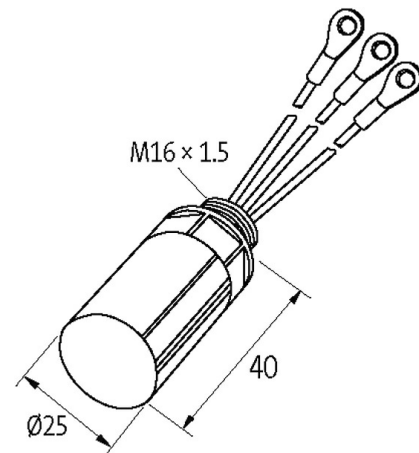
VDR

isolated M6

Suppressors for other voltages, frequencies, and motor ratings available on request. Do not use RC motor suppressors with frequency inverters.

Illustration

stay connected



VDR

Product may differ from Image

Approvals



General data

Connection	approx. 100 mm, single cores 0.5 mm ²
Mounting method	on motor terminal box with plug connector
Temperature range	-20...+60 °C

Dimensions H×W×D 25×25×40 mm

Technical Data

Material	Flame retardant plastic acc. to (UL 94)
Potting compound	2-component epoxy
Ring terminals	isolated M6
Frequency	10...400 Hz

Commercial data

country of origin	CZ
customs tariff number	85363010
EAN	4048879018937
eClass	27371013
Packaging unit	1