

VALVE PLUG SUPPRESSOR FORM A - 18MM

Diode and LED, 24VDC/50VA/W

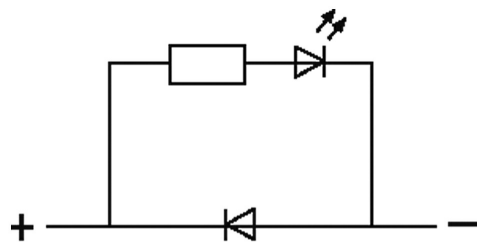
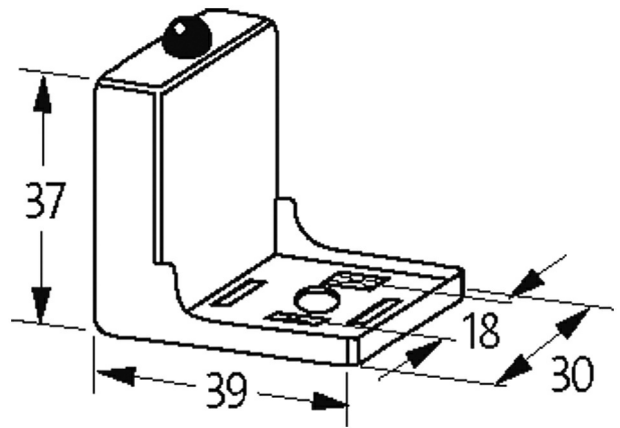
24 V DC

Diode + LED

Remove plug gasket when fitting adapter. Other LED colors on request.

Polarity dependent

Illustration



LED + Diode

Product may differ from Image

General data

Dimensions H×W×D	37×39×30 mm
Housing	Polyamide black, flame retardant, temperature resistance up to 130 °C
Temperature range	-20...+60 °C
Material (contact)	Silvered bronze

Technical Data

Switch off peak	1 V
Switch off delay time	max. 200 ms
max. power (W)	max. 50 W (VA)
LED display	(yellow opac)

Commercial data

country of origin	CZ
customs tariff number	85363010
EAN	4048879012263
eClass	27371013
Packaging unit	1