

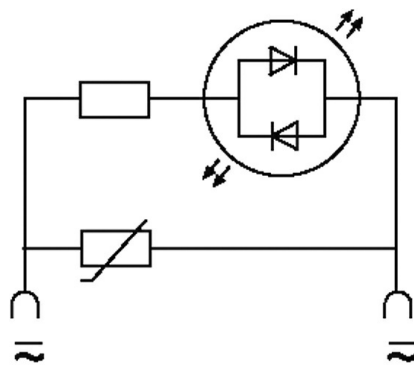
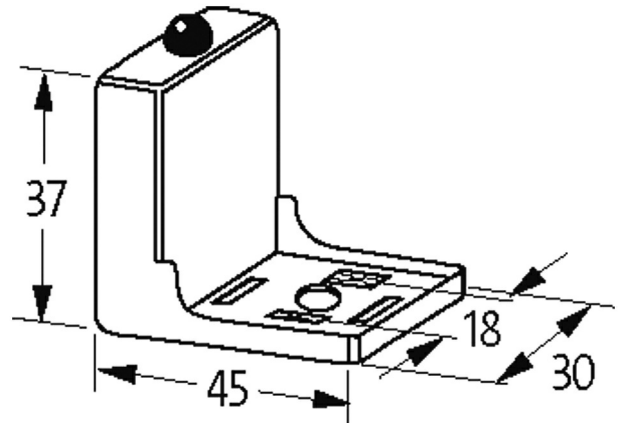
**VALVE PLUG SUPPRESSOR FORM A - 18MM**

Varistor and LED, 110VAC/DC/100VA/W

110 V AC/DC

VDR + LED

Remove plug gasket when fitting adapter. Other LED colors on request.

**Illustration**

LED + VDR

Product may differ from Image

**General data**

Dimensions H×W×D	37×45×30 mm
Housing	Polyamide black, flame retardant, temperature resistance up to 130 °C
Temperature range	-20...+60 °C
Material (contact)	Silvered bronze

**Technical Data**

Switch off peak	max. 235 V
Switch off delay time	max. 10 ms
max. power (W)	max. 100 W (VA)
LED display	(yellow opac)

**Commercial data**

country of origin	CZ
customs tariff number	85363010
EAN	4048879012225
eClass	27371013
Packaging unit	1