

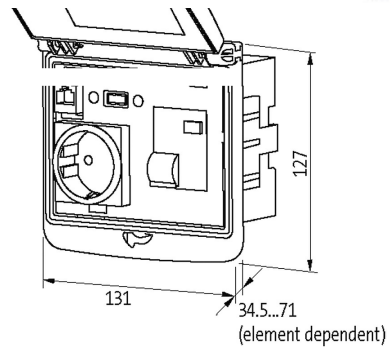
Modlink MSDD-set: Frame 4000-68523-0000001,

insert 4000-68000-4110000

with touch protection

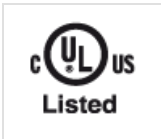
Illustration





Product may differ from Image

Approvals



Frame

suitable for mounting with wall thickness	1...5 mm
Protection	IP65
Housing	Frame: plastic PA black, cap: plastic ABS metallic
Temperature range	-30...+70 °C (storage temperature -30...+80 °C)

General data

Dimensions H×W×D	88×116×72 mm
------------------	--------------

RJ45

Operating voltage (UL Rating)	max. 30 V AC/42.4 V DC
Operating current (UL Rating)	max. 175 mA
Connection front side	RJ45
Connection rear side	RJ45
Locking of ports	Snap In
Specification	CAT5e, Class D, 100 MHz, (EN 50173-1)

Fuse

Operating voltage	250 V AC/32 V DC
Continuous load	3 A

USA

Operating voltage	125 V AC
Operating current	15 A
No. of poles	2 + PE
Connection	Screw terminals: max. 2× 6 mm ² (AWG 10)

Commercial data

country of origin	DE
customs tariff number	85366990
EAN	4048879477963
eClass	27144001
Packaging unit	1