

**IO-Link / analog converter**

AO U -10- + 10V, M12, straight

IOL AO-U-STR-10 V-BIP

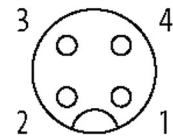
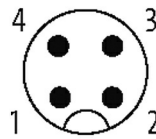
IO-Link V1.1

Connection cables are in the online shop under "Connection Technology".

**Illustration**

Male

Female



PIN 1: +24 V (L+)

PIN 2: n.c.

PIN 3: GND

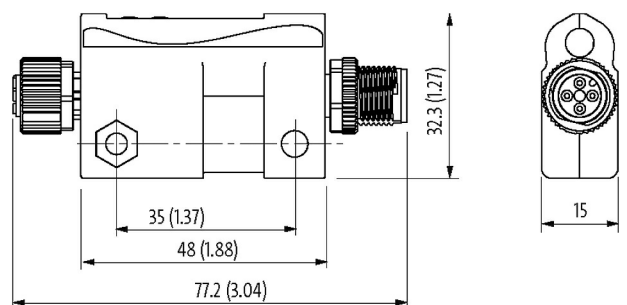
PIN 4: C/Q, IO-Link

PIN 1: +Us

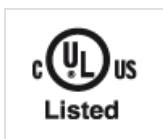
PIN 2: n.c.

PIN 3: GND (Analog Us)

PIN 4: AOUT (U/I)



Product may differ from Image

**Approvals****More Info**



### Output

Actuator supply UA	24 V DC (EN 61131-2), max. 200 mA
Input range (analog)	-10...+10 V
Valency	358.9 $\mu$ V
Resolution (analog)	15 Bit + sign
Type	2-, 3-, 4-wire technology
Accuracy	0.10% (25 °C)
Temperature drift	45 ppm/°K
Conversion time (analog)	max. 5 ms
Output filter	yes, mean value formation, parameterizable N = 0...64
Over voltage protection	30 V DC

### Connections

IO-Link	M12 (male) 5-pole, A-coded
Analog output	M12 (female) 5-pole, A-coded, shielded

### General data

Protection	IP65/IP67
Material (housing)	Plastic
Labeling	Laser labelled
Temperature range	-30...+70 °C (storage temperature -40...+85 °C)
Dimensions H×W×D	32.3×77.2×15 mm

### Module supply

Operating voltage	24 V DC (18...30 V DC)
Current consumption	max. 19 mA

### IO-Link

Specification	IO-Link V1.1
Operating modes	COM2 (38.4 kbit/s)
Port Class	A
Cycle time	min. 2.3 ms
Data width	16 Bit / 2 Byte
Data format	Siemens S7

### Parameterization

Measured value	preset
Diagnostics	lower limit, upper limit, over heated, supply over voltage, supply under voltage, defective device
lower limit	2 Byte
upper limit	2 Byte
Mean value filter	1 Byte

### Protection

Reverse polarity protection module	yes, permanently
Short-circuit protection sensor	yes, permanently
feed back resistance	yes, permanently
Over voltage protection	30 V DC

### Diagnostic

Communication status	via LED and IO-Link
----------------------	---------------------

Diagnostic via LED	yes
Diagnostic via IO-Link	yes
Monitoring - limit	yes
Monitoring - temperature	yes
Monitoring - over voltage	yes
Monitoring - under voltage	yes
Underride and overrun	yes

**Commercial data**

country of origin	DE
customs tariff number	85389099
EAN	4048879588249
eClass	27242601
Packaging unit	1