

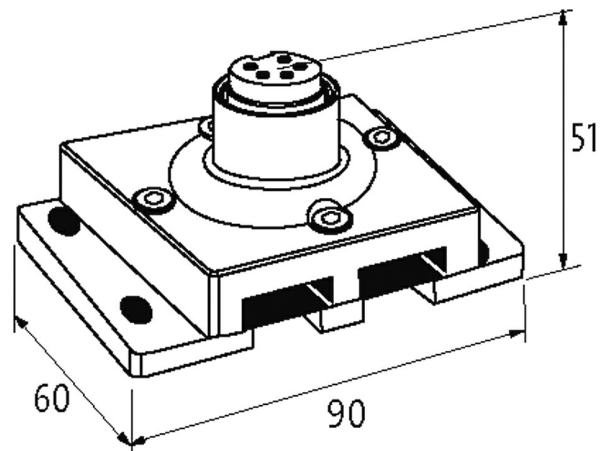
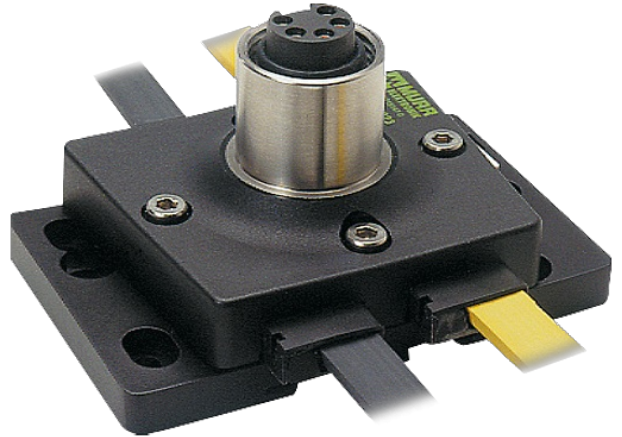
**MASI67 INSTALLATION TECHNOLOGY**

Converter 2x profile cable to 7/8" female

MASI67 converter

2x profile cable to 7/8" (female)

Connection cables are in the online shop under "Connection Technology".

**Illustration**

Product may differ from Image

**Approvals****Contact Layout**

PIN 1	AS-Interface + (brown)
PIN 2	AS-Interface - (blue)
PIN 3	n.c.
PIN 4	+24 V (brown)
PIN 5	0 V (blue)

**General data**

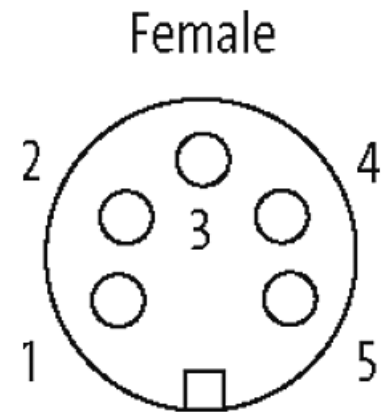
Test isolation voltage	AS-Interface/Power 200 V, (EN 60664-1)
Protection	IP67
Mounting method	DIN-rail mountable (EN 60715) or screw fixing
Temperature range	-20...+60 °C (storage temperature -40...+80 °C)
Dimensions H×W×D	90×74×52 mm

**Technical Data**

Operating voltage	max. 36 V DC
Total current	max. 8 A

**Commercial data**

country of origin	DE
customs tariff number	85369010
EAN	4048879052160
eClass	27400209
Packaging unit	1

**Sketch**

Product may differ from Image