

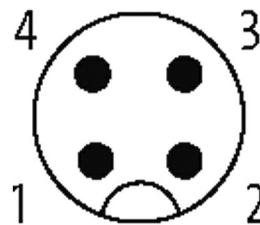
**SAFETY WIRING SYSTEM**

EMERGENCY OFF PUSH BUTTON with M12

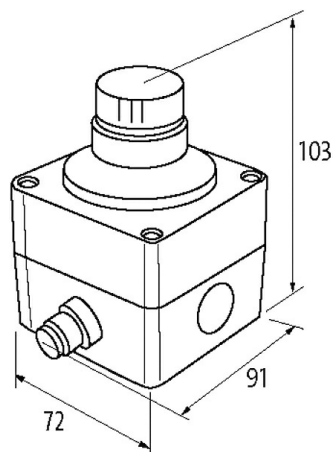
E-Stop 72 2NC M12(4)  
with M12 connection  
4-pole  
Emergency-Stop button  
2 NC (positively-opening)

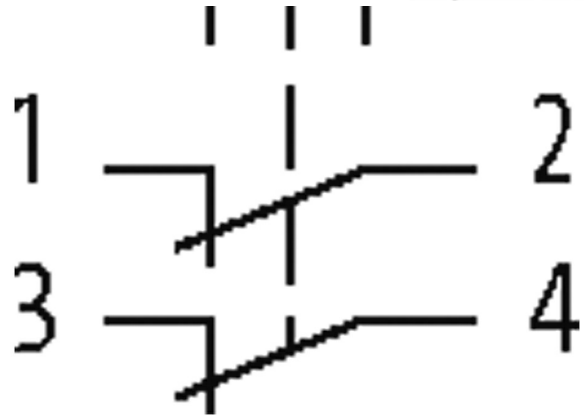
**Illustration**

Male



PIN 1: N/C 1  
PIN 2: N/C 1  
PIN 3: N/C 2  
PIN 4: N/C 2





Product may differ from Image

### Contact Layout

PIN 1	N/C 1
PIN 2	N/C 1
PIN 3	N/C 2
PIN 4	N/C 2

### Components approvals

Contact maker	UL, TÜV
Emergency-Stop button	cULus, TÜV, UR (NISD 2)
Housing	cULus, Type 4x
Connector	UR
Module holder	UL, TÜV

### Utilization category

AC-15	3 A (250 V AC)
DC-13	2 A (24 V DC)

### General data

Mech./ elect. life	1 000 000 operations, load-temperature dependent
Lambda (d)	20% (N/C)
Material (contact)	Ag Ni
B10d	250 000
Protection	IP65
Connection	M12 (4-pole)
Mounting method	screw fixing
Dimensions H×W×D	103×72×91 mm
Temperature range	-25...+60 °C (storage temperature -25...+85 °C)

### Technical Data

Switching capacity	30 A (AC 15); 2.2 A (DC 13)
Contact bounce time	max. 9 ms

### Commercial data

country of origin	DE
customs tariff number	85365080
EAN	4048879050654
eClass	27371244
Packaging unit	1