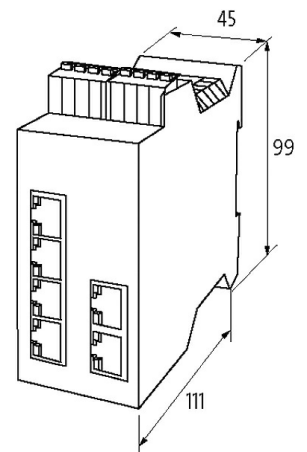


TREE M-6TX Lite managed Switch 6 Ports

6x10/100BT IP20 plastic

6 port managed switch

Connection cables are in the online shop under "Connection Technology".

Illustration

Product may differ from Image

Connections

Fieldbus	6 × RJ45
Supply	Spring clamp plug-in terminal: 0.2...2.5 mm ²

General data

Protection	IP20
Housing	Black plastic
Mounting method	DIN-rail mountable (EN 50022)
Temperature range	0...+60 °C (storage temperature -40...+85 °C)
Dimensions H×W×D	111×45×99 mm

Technical Data

Operating voltage	9.5...31.5 V
Transfer rate	10/100 Mbit/s full duplex
Operating modes	Autocrossing Autonegotiation

Switch Management

Switch Form	Lite - Managed Switch
Webserver	HTTP, HTTPS
VLAN (QoS) IEEE 802.p	yes
Port Mirroring	DHCP, SNMP (v1, v2c, v3), RSTP, STP
Protocols	DHCP, SNMP (v1, v2c, v3), RSTP, STP, LLDP, NTP, RMON, SSH (CLI)
Remote maintenance	Open VPN
Alarm contact	yes

Diagnostic

Communication status	via LED, LLDP
Monitoring - no voltage	yes

Commercial data

country of origin	DE
customs tariff number	85176200
EAN	4048879689342
eClass	19170106
Packaging unit	1