

**M12 MALE 0° WIREABLE SCREW TERM.**4-pol. max.0,75mm<sup>2</sup> 4-6mm

Male straight

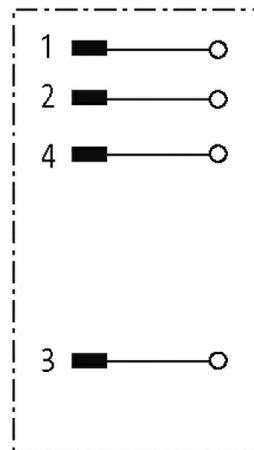
M12, 4-pole

Screw terminals

Sealing range (cable Ø): 4...6 mm

Plastic housings with good resistance against chemicals and oils.

The resistance to aggressive media should be individually tested for your application. Further details on request.

**Illustration**

Product may differ from Image

**Approvals****Form**

Form 12701

**General data**

Pollution Degree	3
Dimensions H×W×D	60×20×20 mm
Temperature range	-40...+85 °C

**Technical Data**

Operating voltage	max. 250 V AC/DC
Rated surge voltage	2.5 kV

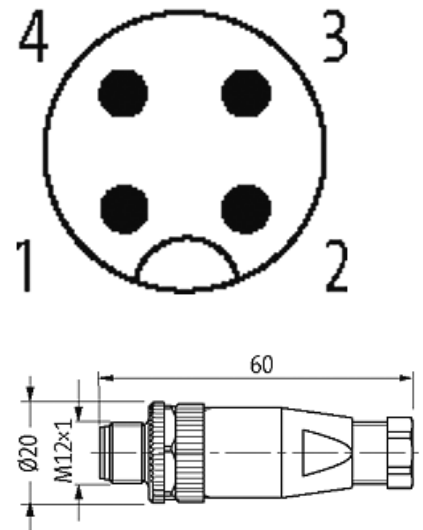
Operating current per contact	max. 4 A
Connection cross section	max. 0.75 mm <sup>2</sup>
Sealing range (cable Ø)	4...6 mm
Locking of ports	Screw thread (M12×1 mm) recommended torque 0.6 Nm, self-securing
Protection	IP67 inserted and tightened (EN 60529)

**Commercial data**

country of origin	DE
customs tariff number	85366990
EAN	4048879201667
eClass	27279221
Packaging unit	1

**Sketch**

Male



Product may differ from Image