

M12 FEMALE STRAIGH FIELD-WIREABLE SCREW TERM.4-pol. max.0,75mm² 4-6mm

Female straight

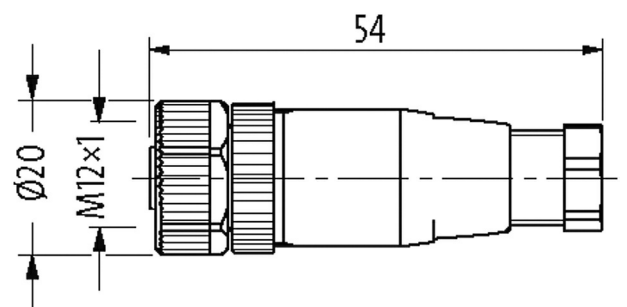
M12, 4-pole

Screw terminals

Sealing range (cable Ø): 4...6 mm

Plastic housings with good resistance against chemicals and oils.

The resistance to aggressive media should be individually tested for your application. Further details on request.

Illustration

Product may differ from Image

Approvals**Form**

Form 12901

General data

Dimensions H×W×D 54×20×20 mm

Temperature range -40...+85 °C

Technical Data

Operating voltage max. 250 V AC/DC

Operating current per contact max. 4 A

Connection cross section max. 0.75 mm²

Sealing range (cable Ø) 4...6 mm

Locking of ports Screw thread (M12×1 mm) recommended torque 0.6 Nm, self-securing

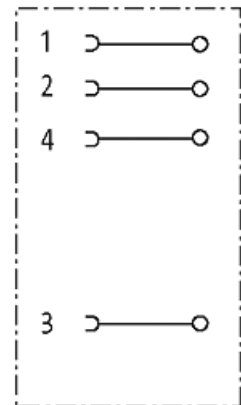
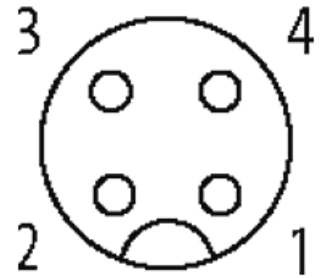
Protection IP67 inserted and tightened (EN 60529)

Commercial data

country of origin	DE
customs tariff number	85366990
EAN	4048879201568
eClass	27279221
Packaging unit	1

Sketch

Female



Product may differ from Image