

M12 FEMALE 0° FIELD-WIREABLE SCREW TERM.5-pol. max.0,75mm² 4-6mm

Female straight

M12, 5-pole

Screw terminals

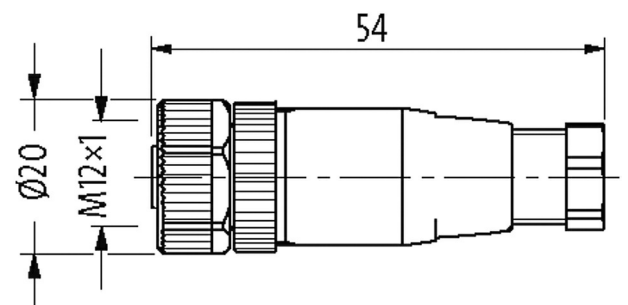
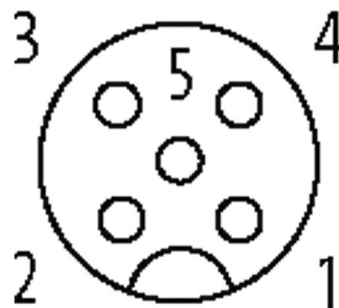
Sealing range (cable Ø): 4...6 mm

Plastic housings with good resistance against chemicals and oils.

The resistance to aggressive media should be individually tested for your application. Further details on request.

Illustration

Female



Product may differ from Image

Approvals

Form

Form 12921

General data

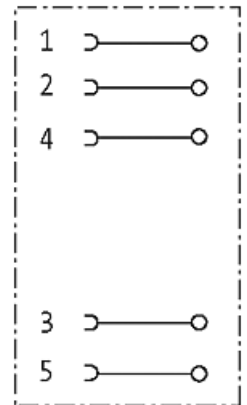
| | |
|--------------------|--------------|
| Pollution Degree | 3 |
| Dimensions H×W×D | 54×20×20 mm |
| Material (housing) | PA |
| Temperature range | -40...+85 °C |

Technical Data

| | |
|-------------------------------|--|
| Operating voltage | max. 60 V |
| Rated surge voltage | 0.8 kV |
| Operating current per contact | max. 4 A; max. 3 A (UL-Recognized) |
| Material group | III |
| Connection cross section | max. 0.75 mm ² |
| Sealing range (cable Ø) | 4...6 mm |
| Over voltage category | II |
| Locking of ports | Screw thread (M12×1 mm) recommended torque 0.6 Nm, self-securing |
| Compression gland | M12 (SW18) |
| Protection | IP67 inserted and tightened (EN 60529) |

Commercial data

| | |
|-----------------------|---------------|
| country of origin | DE |
| customs tariff number | 85366990 |
| EAN | 4048879201551 |
| eClass | 27279221 |
| Packaging unit | 1 |

Sketch

Product may differ from Image