

**M12 female 90° shielded B-cod.with cable, Profibus**

PUR 1x2xAWG23 shielded vt torsion UL/CSA 10.0m

PROFIBUS

Female 90°

M12, 2-pole

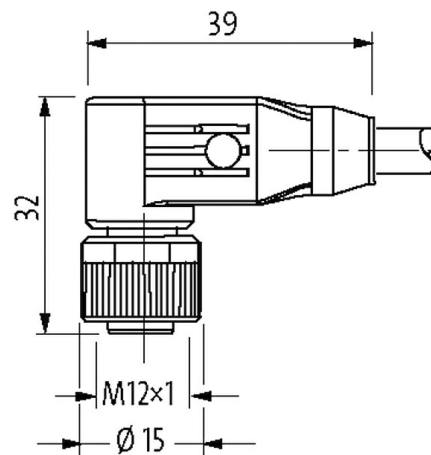
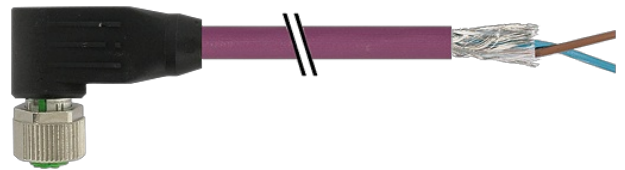
B-coded

shielded

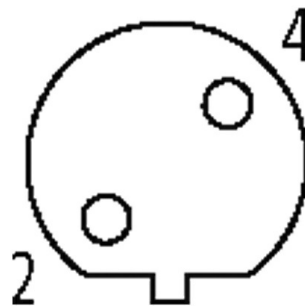
Plastic housings with good resistance against chemicals and oils.

The resistance to aggressive media should be individually tested for your application. Further details on request.

Further cable lengths on request.

**Illustration**

Female



Product may differ from Image

**Approvals**



\* only for products with UL/CSA approved cable

cCSAus

## More Info



## Form

Form 14071

## Cables

|                            |  |
|----------------------------|--|
| No./diameter of wires      | 1 × 2 × 0.25 mm <sup>2</sup>             |
| Wire isolation             | PE (rd, gn)                              |
| Jacket Color               | violet                                   |
| Material (jacket)          | PUR (UL/CSA)                             |
| Outer Ø                    | 8.0 mm ±5%                               |
| Bend radius (moving)       | 12× outer Ø                              |
| Temperature range (fixed)  | -40...+80 °C                             |
| Temperature range (mobile) | -20...+50 °C                             |
| Cable identification       | 843                                      |
| Approval (cable)           | UL (AWM-Style 20233/10578), CSA; CE      |
| Cable weight [g/m]         | 79,20                                    |
| Material (wire)            | Cu wire, bare                            |
| Resistor (core)            | max. 66 Ω/km (20 °C)                     |
| Single wire Ø (core)       | 0.15 mm                                  |
| Construction (core)        | 19 × 0.15 mm (multi-strand wire class 5) |
| Diameter (core)            | 1 × 2 × 0.25 mm <sup>2</sup>             |
| Wire-Ø incl. isolation     | 2.6 mm ±5%                               |
| Color/numbering of wires   | rd, gn                                   |
| Shield                     | yes                                      |
| Material (jacket)          | PUR                                      |
| Outer-Ø (jacket)           | 8.0 mm ±5%                               |
| Color (jacket)             | violet                                   |
| thermal resistance         | flame retardant                          |
| Nominal voltage            | 300 V                                    |
| Temperature range (fixed)  | -40...+80 °C                             |
| Temperature range (mobile) | -20...+50 °C                             |
| Bend radius (fixed)        | 8× outer Ø                               |
| Bend radius (moving)       | 12× outer Ø                              |
| Torsion stress             | ±180°/m                                  |

## Technical Data

|                                    |  |
|------------------------------------|--|
| Operating voltage                  | max. 60 V AC/DC  |
| Operating voltage (only UL listed) | max. 30 V AC/DC  |
| Operating current per contact      | max. 4 A   |
| Rated surge voltage                | 1.5 kV   |
| Material group                     | IEC 60664-1, category I  |
| Coding                             | B-coded  |
| Locking of ports                   | Screw thread (M12×1 mm) recommended torque 0.6 Nm, self-securing |

|                   |   |
|-------------------|---|
| Compression gland | M12 (SW13)  |
| Protection        | IP65, IP66K, IP67 inserted and tightened (EN 60529) |
| Locking material  | Zinc die casting, matte nickel plated               |
| Material          | PUR   |

**General data**

|                   |  |
|-------------------|--|
| Standards         | DIN EN 61076-2-101 (M12)                 |
| Pollution Degree  | 3  |
| Temperature range | -25...+85 °C, depending on cable quality |

**Commercial data**

|                       |               |
|-----------------------|---------------|
| country of origin     | DE            |
| customs tariff number | 85444290      |
| EAN                   | 4048879480178 |
| eClass                | 27061801      |
| Packaging unit        | 1             |