

M12 MALE,0° SHIELDED, D CODED, ETHERNET

800 PVC 2x2xAWG22 shielded gn 15.0

Ethernet CAT5

Male straight

M12, 4-pole

D-coded

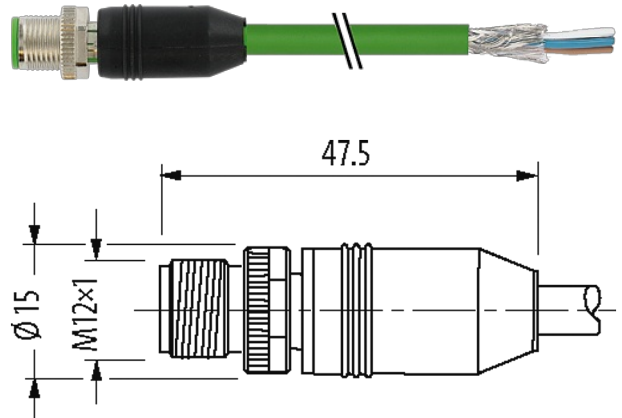
shielded

Further cable lengths on request.

Plastic housings with good resistance against chemicals and oils.

The resistance to aggressive media should be individually tested for your application. Further details on request.

Transmission properties with channel transmission up to 100 m

Illustration

Product may differ from Image

Approvals

* only for products with UL/CSA approved cable

cCSAus

More Info

EtherNet/IP

**Form**

Form 14541

Cables

| | |
|---------------------------|----------------------------|
| No./diameter of wires | 2x 2x 0.34 mm ² |
| Wire isolation | PE (wh, ye, bl, or) |
| C-track properties | 2 Mio. |
| Material (jacket) | PVC (UL/CSA) |
| Outer Ø | 6.5 mm ±5% |
| Bend radius (moving) | 15x outer Ø |
| Temperature range (fixed) | -30...+80 °C |

| | |
|---------------------------------|--|
| Temperature range (mobile) | -10...+70 °C |
| Cable identification | 800 |
| Approval (cable) | UL (AWM-Style 2571/10578), CSA; CE conform; Profinet Guideline |
| Cable weight [g/m] | 73,70 |
| Material (wire) | Cu wire, bare |
| Resistor (core) | max. 55 Ω/km (20 °C) |
| Construction (core) | 7 × 0.254 mm |
| Diameter (core) | 2 × 2 × AWG22/7 (0.355) |
| AWG | similar to AWG 22 |
| Material (wire isolation) | PE |
| Shore hardness (wire isolation) | 55 ±5 D |
| Wire-Ø incl. isolation | 1.52 mm ±5% |
| Color/numbering of wires | wh, ye, bl, or |
| Shield | yes |
| | min. 85% |
| Material (jacket) | PVC |
| Shore hardness (jacket) | 85 ±5 A |
| Outer-Ø (jacket) | 6.5 mm ±5% |
| Color (jacket) | green |
| chemical resistance | good resistance to oil, gasoline and chemicals |
| thermal resistance | flame retardant |
| Nominal voltage | 300 V AC |
| Test voltage | 1000 V AC |
| Current load capacity | to DIN VDE 0298-4 |
| Temperature range (fixed) | -30...+80 °C |
| Temperature range (mobile) | -10...+70 °C |
| Bend radius (fixed) | 5 × outer Ø |
| Bend radius (moving) | 15 × outer Ø |
| No. of bending cycles (C-track) | max. 2 Mio. (25 °C) |
| Traversing distance (C-track) | max. 5 m (horizontal) |
| Travel speed (C-track) | max. 3.3 m/s |
| Acceleration (C-track) | max. 2 m/s |
| Jacket Color | green |

Technical Data

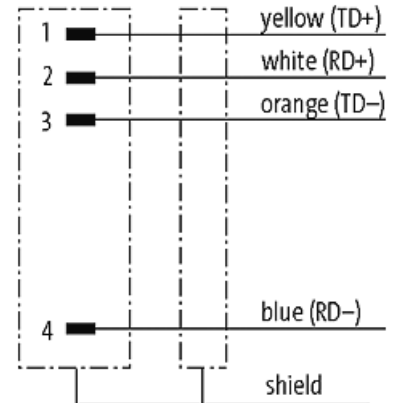
| | |
|---|--|
| Operating voltage | max. 60 V DC |
| Operating voltage (only UL listed) | max. 30 V DC |
| Rated surge voltage | 1.5 kV |
| Operating current per contact | max. 4 A |
| Material group | IEC 60664-1, category I |
| Transfer parameters | CAT5, Class D (ISO/IEC 11801:2002), (EN 50173-1) |
| Transfer rate | up to 100 Mbit/s full duplex |
| Coding | D-coded |
| Locking of ports | Screw thread (M12×1 mm) recommended torque 0.6 Nm, self-securing |
| Compression gland | M12 (SW13) |
| Protection | IP65, IP66K, IP67 inserted and tightened (EN 60529) |
| Locking material | Zinc die casting, matte nickel plated |
| Material | PUR |
| suitable for corrugated tube (internal Ø) | without |

General data

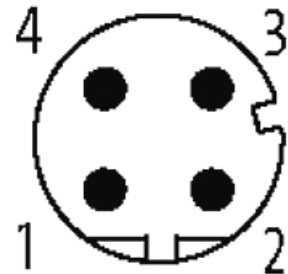
| | |
|-------------------|--|
| Standards | DIN EN 61076-2-101 (M12) |
| Pollution Degree | 3 |
| Temperature range | -25...+85 °C, depending on cable quality |

Commercial data

| | |
|-----------------------|---------------|
| country of origin | DE |
| customs tariff number | 85444290 |
| EAN | 4048879775618 |
| eClass | 27061801 |
| Packaging unit | 1 |

Sketch

Male



Product may differ from Image