

M12 FEMALE 0° SHIELDED

PUR 4X2X0.25 shielded GRAY, 20m

Female straight

M12, 8-pole

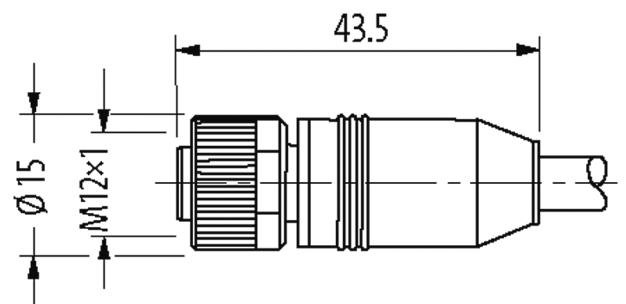
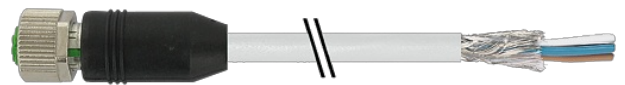
shielded

with cable sleeves

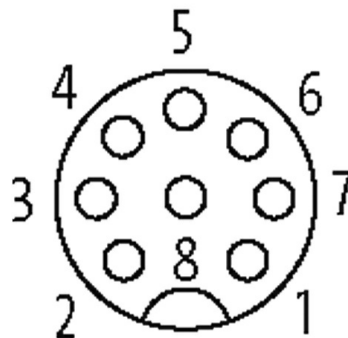
Plastic housings with good resistance against chemicals and oils.

The resistance to aggressive media should be individually tested for your application. Further details on request.

Further cable lengths on request.

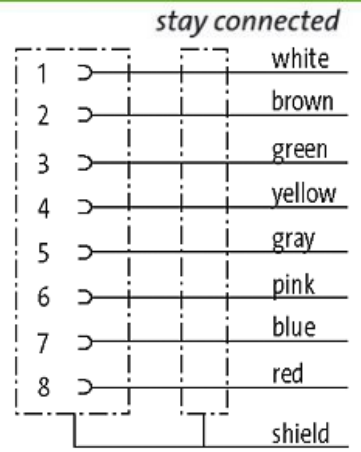
Illustration

Female



Product may differ from Image

Sketch



Product may differ from Image