

M12 FEMALE 0°

PVC 12x0,14 black 20m

Female straight

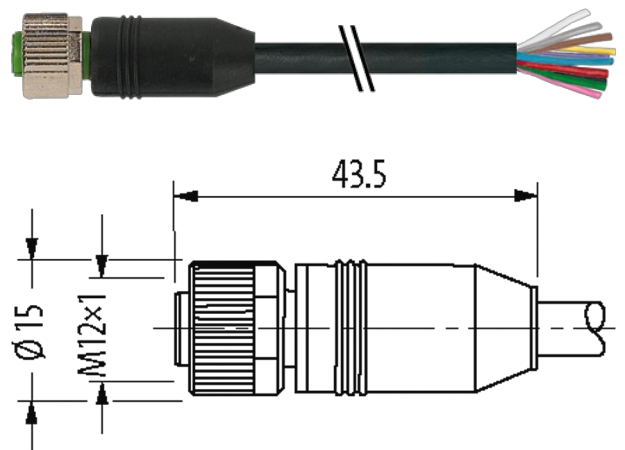
M12, 12-pole

Art-No. 7005 - M12 Lite - (plastic hexagonal screw) on request
with cable sleeves

Plastic housings with good resistance against chemicals and oils.

The resistance to aggressive media should be individually tested for your application. Further details on request.

Further cable lengths on request.

[Link to Product](#)**Illustration**

Product may differ from Image

Approvals

cCSAus

* only for products with UL/GSA approved cable

Form

Form 19041

General data

| | |
|-------------------|--|
| Standards | DIN EN 61076-2-101 (M12) |
| Mounting method | inserted, tightened |
| Pollution Degree | 3 |
| Temperature range | -25...+85 °C, depending on cable quality |

Cables

| | |
|----------------------------|--|
| No./diameter of wires | 12x 0.14 mm ² |
| Wire isolation | PVC (br, bl, wh, gn, pk, ye, bk, gr, rd, vi, grpk, rdbl) |
| Material (jacket) | PVC |
| Outer Ø | 6.0 mm ±5% |
| Bend radius (moving) | 10x outer Ø |
| Temperature range (fixed) | -30...+70 °C |
| Temperature range (mobile) | -5...+70 °C |
| Cable identification | 702 |
| Cable Type | 1 (PVC) |

| | |
|-------------------------------------|--|
| Approval (cable) | CE conform |
| Cable weight [g/m] | 55,00 |
| Material (wire) | Cu wire, bare |
| Resistor (core) | max. 138 Ω /km (20 °C) |
| Single wire \varnothing (core) | 0.1 mm |
| Construction (core) | 18× 0.1 mm (multi-strand wire class 6) |
| Diameter (core) | 12× 0.14 mm ² |
| AWG | similar to AWG 26 |
| Material (wire isolation) | PVC |
| Material property (wire isolation) | CFC-, cadmium-, silicone- and lead-free |
| Shore hardness (wire isolation) | 85 \pm 5 A |
| Wire- \varnothing incl. isolation | 1.0 mm \pm 5% |
| Color/numbering of wires | br, rd, gr, bk, ye, pk, gn, wh, bl, rdbl, grpk, vi |
| Stranding combination | Twisted wires rdbl, grpk and vi, over it all other wires are twisted |
| Shield | no |
| Material (jacket) | PVC |
| Material property (jacket) | CFC-, cadmium-, silicone- and lead-free, matt, low-adhesion, machine easy to process, abrasion-resistant |
| Shore hardness (jacket) | 75 \pm 5 A |
| Outer- \varnothing (jacket) | 6.0 mm \pm 5% |
| Color (jacket) | black |
| chemical resistance | good resistance to oil, gasoline and chemicals |
| Nominal voltage | 300 V |
| Test voltage | 1500 V AC |
| Temperature range (fixed) | -30...+70 °C |
| Temperature range (mobile) | -5...+70 °C |
| Bend radius (moving) | 10× outer \varnothing |
| Jacket Color | black |

Technical Data

| | |
|--|--|
| Operating voltage | max. 30 V AC/DC |
| Rated surge voltage | 0.8 kV |
| Operating current per contact | max. 1.5 A |
| Material group | IEC 60664-1, category I |
| Coding | A-coded |
| Locking of ports | Screw thread (M12×1 mm) recommended torque 0.6 Nm, self-securing |
| Compression gland | M12 (SW13) |
| Protection | IP65, IP66K, IP67 inserted and tightened (EN 60529) |
| Locking material | Zinc die casting, matte nickel plated |
| Material | PUR |
| suitable for corrugated tube (internal \varnothing) | without |

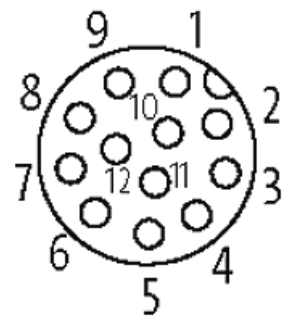
Commercial data

| | |
|-----------------------|---------------|
| country of origin | DE |
| customs tariff number | 85444290 |
| EAN | 4048879295499 |
| eClass | 27279218 |
| Packaging unit | 1 |

Sketch

| | |
|----|-----------|
| 1 | brown |
| 2 | blue |
| 3 | white |
| 4 | green |
| 5 | pink |
| 6 | yellow |
| 7 | black |
| 8 | gray |
| 9 | red |
| 10 | violet |
| 11 | gray/pink |
| 12 | red/blue |

Female



Product may differ from Image