

SVS VALVE PLUG FORM A 18MM FIELD-WIREABLE

24...230V LED PG9 Bridge Rectifier

Form A (18 mm)

24...230 V AC/DC

LED and bridge rectifier

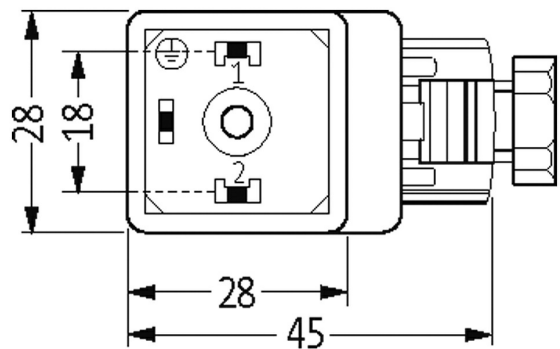
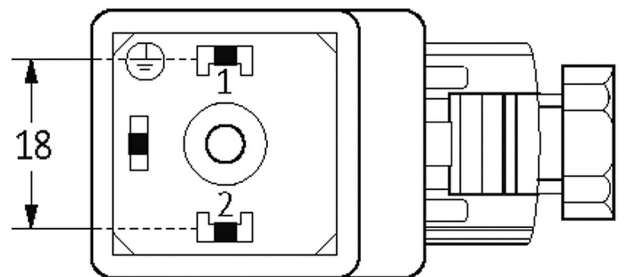
PG9

Plastic housings with good resistance against chemicals and oils.

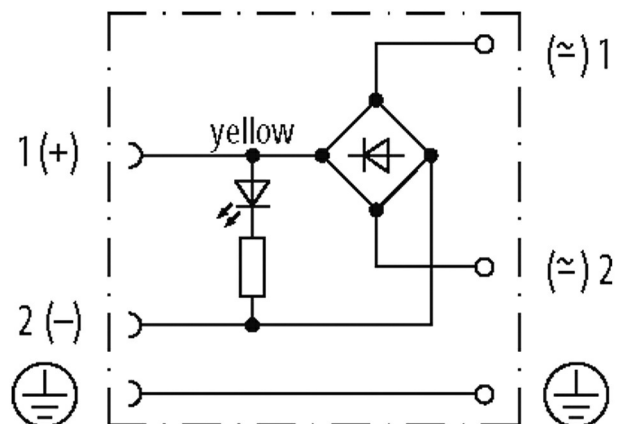
The resistance to aggressive media should be individually tested for your application. Further details on request.

[Link to Product](#)

Illustration



Height: 41 mm



Product may differ from Image

Form

Form 29541

General data

Temperature range -20...+60 °C

Technical Data

Operating voltage 24...230 V AC/DC

Operating current per contact max. 1 A

Configuration 2 contacts + PE

Locking of ports M3 (recommended torque 0.4 Nm)

Protection IP65 inserted and tightened (EN 60529)

Commercial data

country of origin CZ

customs tariff number 85366990

EAN 4048879187367

eClass 27279221

Packaging unit 1