

M12 MALE 0° / M12 FEMALE 0° SHIELDED

PUR 4X0.34 shielded green 12m

Male straight – female straight

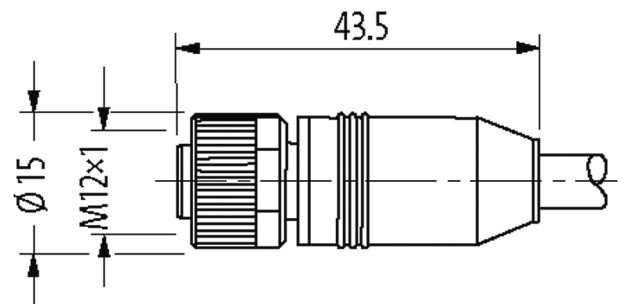
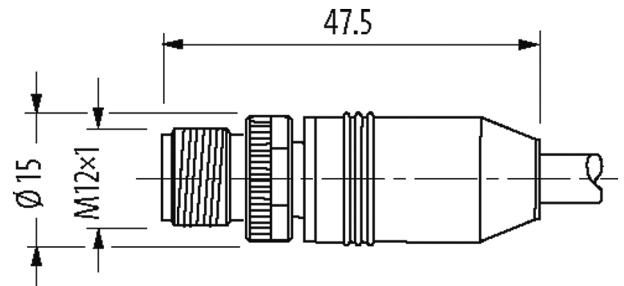
M12 – M12, 4-pole

shielded

Plastic housings with good resistance against chemicals and oils.

The resistance to aggressive media should be individually tested for your application. Further details on request.

Further cable lengths on request.

Illustration

Product may differ from Image

Approvals

* only for products with UL/CSA approved cable

cCSAus

Form

Form 40501

Cables

No./diameter of wires	4 x 0.34 mm ²
Wire isolation	TPE-E (br, bk, bl, wh)
Material (jacket)	PUR
Outer Ø	5.9 mm ±5%
Bend radius (moving)	10 x outer Ø
Temperature range (fixed)	-50...+80 °C

Temperature range (mobile)	-40...+80 °C
Cable identification	820
Approval (cable)	CE conform
Cable weight [g/m]	48,95
Material (wire)	Cu wire, bare
Resistor (core)	max. 57 Ω/km (20 °C)
Single wire Ø (core)	0.1 mm
Construction (core)	42× 0.1 mm (multi-strand wire class 6)
Diameter (core)	4× 0.34 mm ²
AWG	similar to AWG 22
Material (wire isolation)	TPE
Material property (wire isolation)	halogen- and lead-free
Shore hardness (wire isolation)	85 ±5 A
Wire-Ø incl. isolation	1.25 mm ±5%
Color/numbering of wires	br, bk, bl, wh
Stranding combination	4 wires twisted
Shield	yes
	min. 85%
Material (jacket)	PUR
Material property (jacket)	CFC-, halogen-, cadmium-, silicone- and lead-free, matt, low-adhesion, machine easy to process, abrasion-resistant, hydrolysis and microbial resistant
Shore hardness (jacket)	85 ±5 A
Outer-Ø (jacket)	5.9 mm ±5%
Color (jacket)	green
Nominal voltage	300/500 V AC
Test voltage	1500 V AC
Temperature range (fixed)	-50...+80 °C
Temperature range (mobile)	-40...+80 °C
Bend radius (moving)	10× outer Ø
Jacket Color	green

Technical Data

Operating voltage	max. 60 V AC/DC
Operating voltage (only UL listed)	max. 30 V AC/DC
Operating current per contact	max. 4 A
Locking of ports	Screw thread (M12×1 mm) recommended torque 0.6 Nm, self-securing
Compression gland	M12 (SW13)
Locking material	Zinc die casting, matte nickel plated
Protection	IP65 and IP67 when plugged and screwed down (EN 60529)

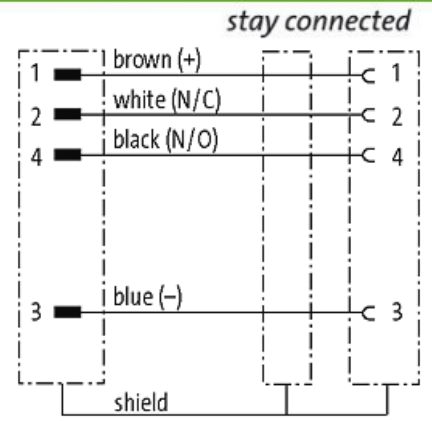
General data

Standards	DIN EN 61076-2-101 (M12)
Temperature range	-25...+85 °C, depending on cable quality

Commercial data

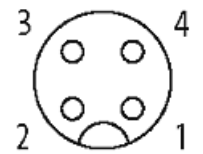
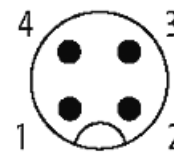
country of origin	DE
customs tariff number	85444290
EAN	4048879165402
eClass	27279218
Packaging unit	1

Sketch



Male

Female



Product may differ from Image