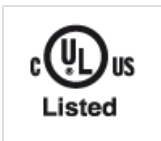


ADAPTOR M12 MALE/ M8 FEMALE 3 POLE CONF. 1,3,4

Adapter
 Male - female
 M12 – M8, 3-pole
 for M12 distribution box, 3-pole
 Art-No. 7005 - M12/M8 Lite - (plastic hexagonal screw) on request

Illustration

Product may differ from Image

Approvals**Form**

Form 42201

General data

| | |
|-------------------|---|
| Standards | DIN EN 61076-2-101 (M12), DIN EN 61076-2-104 (M8) |
| Pollution Degree | 3 |
| Temperature range | -25...+85 °C |

Technical Data

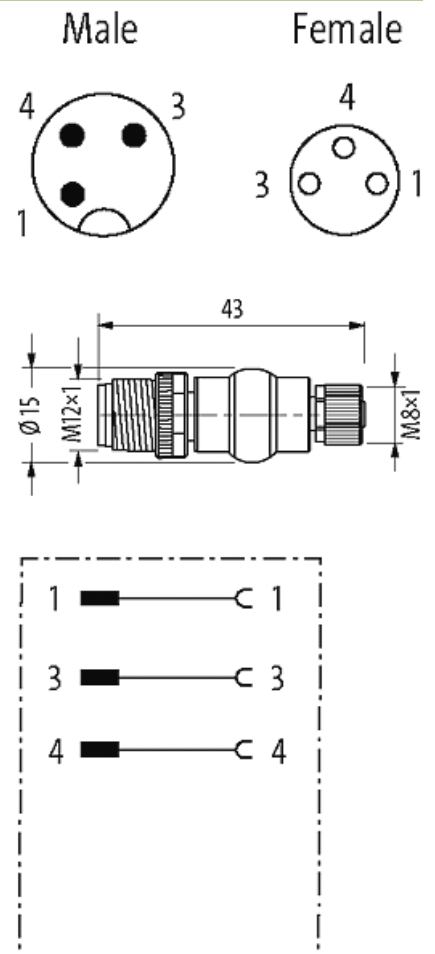
| | |
|------------------------------------|---|
| Operating voltage | max. 50 V AC/60 V DC |
| Operating voltage (only UL listed) | max. 30 V AC/DC |
| Rated surge voltage | 1.5 kV |
| Operating current per contact | max. 4 A |
| Material group | IEC 60664-1, category I |
| No. of poles | 3 |
| Coding | M12, A-coded |
| Locking of ports | Screw thread (M8/M12×1 mm) recommended torque 0.4/0.6 Nm, self-securing |
| Compression gland | M8 (SW9), M12 (SW13) |
| Protection | IP67 inserted and tightened (EN 60529) |
| Locking material | Zinc die casting, matte nickel plated |
| Material | PUR |

Commercial data

| | |
|-----------------------|---------------|
| country of origin | DE |
| customs tariff number | 85366990 |
| EAN | 4048879143202 |

eClass 27143423

Packaging unit 1

Sketch

Product may differ from Image