

M12MALE 0° / M12 FEMALE 0° SHIELDED,B-COD,INTERBUS

PUR 3x2x0.25 shielded violet 8m

Interbus

Male straight – female straight

M12 – M12, 5-pole

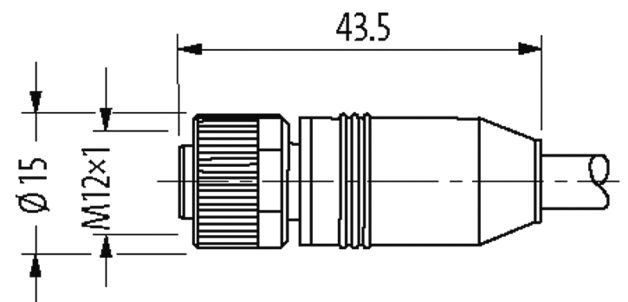
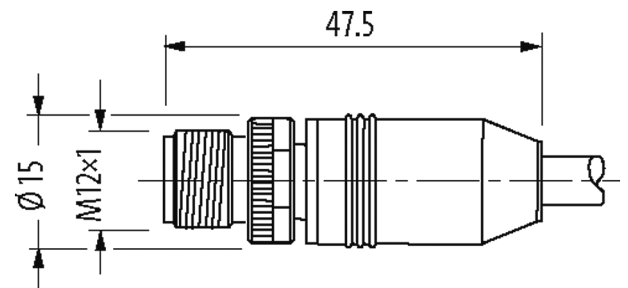
B-coded

shielded

Further cable lengths on request.

Plastic housings with good resistance against chemicals and oils.

The resistance to aggressive media should be individually tested for your application. Further details on request.

Illustration

Product may differ from Image

Approvals**More Info****Form**

Form

44051

| Cables | |
|---------------------------------|--|
| No./diameter of wires | 3 × (2 × AWG24) |
| Wire isolation | PE (whbr, grpk, gnye) |
| C-track properties | 2 Mio. |
| Material (jacket) | PUR |
| Outer Ø | 7.7 mm ±5% |
| Bend radius (moving) | 15 × outer Ø |
| Temperature range (fixed) | -40...+70 °C |
| Temperature range (mobile) | -30...+70 °C |
| Cable identification | 799 |
| Approval (cable) | Interbus (DIN 19258/EN50254/IEC 61158 conform) |
| Cable weight [g/m] | 76,49 |
| Material (wire) | Cu wire, bare |
| Resistor (core) | max. 96 Ω/km (20 °C) |
| Single wire Ø (core) | 0.1 mm |
| Construction (core) | 32 × 0.1 mm (multi-strand wire class 6) |
| Diameter (core) | 3 × (2 × AWG24) |
| AWG | similar to AWG 24 |
| Material (wire isolation) | PE |
| Shore hardness (wire isolation) | 55 ±5 D |
| Wire-Ø incl. isolation | 1.4 mm ±5% |
| Color/numbering of wires | (wh, br) + (gr, pk) + (gn, ye) |
| Shield | yes |
| | min. 85% |
| Material (jacket) | PUR |
| Material property (jacket) | CFC-, halogen- and cadmium-free, matt, low-adhesion, machine easy to process, abrasion-resistant |
| Shore hardness (jacket) | 85 ±5 A |
| Outer-Ø (jacket) | 7.7 mm ±5% |
| Color (jacket) | violet |
| chemical resistance | good resistance to oil, gasoline and chemicals (VDE 0472 Teil 803/VDE 0249) |
| Nominal voltage | 250 V AC |
| Test voltage | 1500 V (wire/wire); 1000 V (wire/shield) |
| Temperature range (fixed) | -40...+80 °C |
| Temperature range (mobile) | -30...+70 °C |
| Bend radius (fixed) | 6 × outer Ø |
| Bend radius (moving) | 12 × outer Ø |
| No. of bending cycles (C-track) | max. 2 Mio. (25 °C) |
| Traversing distance (C-track) | max. 5 m (horizontal) |
| Travel speed (C-track) | max. 3 m/s |
| Acceleration (C-track) | max. 3 m/s ² |
| Jacket Color | violet |
| Technical Data | |
| Operating voltage | max. 60 V AC/DC |
| Rated surge voltage | 1.5 kV |
| Operating current per contact | max. 4 A |
| Material group | IEC 60664-1, category I |
| No. of poles | 5 |
| Coding | B-coded |
| Locking of ports | Screw thread (M12 × 1 mm) recommended torque 0.6 Nm, self-securing |
| Compression gland | M12 (SW13) |

| | |
|------------|---|
| Protection | IP66K, IP67 inserted and tightened (EN 60529) |
|------------|---|

| | |
|------------------|---------------------------------------|
| Locking material | Zinc die casting, matte nickel plated |
|------------------|---------------------------------------|

General data

| | |
|------------------|---|
| Pollution Degree | 3 |
|------------------|---|

| | |
|-------------------|--|
| Temperature range | -25...+85 °C, depending on cable quality |
|-------------------|--|

Commercial data

| | |
|-------------------|----|
| country of origin | DE |
|-------------------|----|

| | |
|-----------------------|----------|
| customs tariff number | 85444290 |
|-----------------------|----------|

| | |
|-----|---------------|
| EAN | 4048879141512 |
|-----|---------------|

| | |
|--------|----------|
| eClass | 27061801 |
|--------|----------|

| | |
|----------------|---|
| Packaging unit | 1 |
|----------------|---|