

**M12 male 90° / M12 female, 0°, shielded, Ethernet**

PUR 2x2xAWG22 shielded gn UL/CSA+dragchain 9m

Ethernet CAT5

Male 90° – female straight

M12 – M12, 4-pole

D-coded

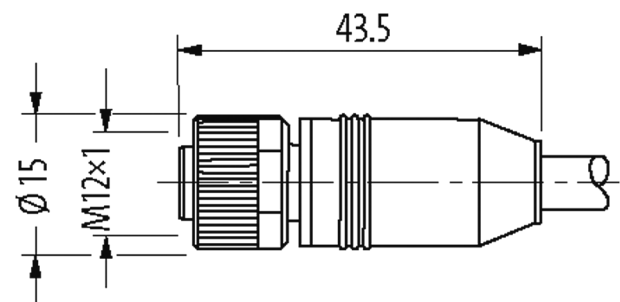
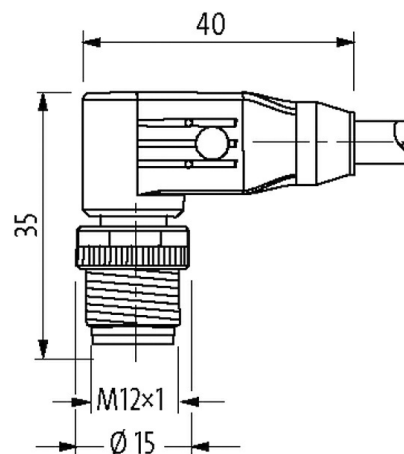
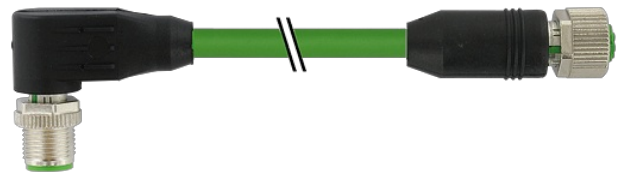
shielded

Transmission properties with channel transmission up to 100 m

Further cable lengths on request.

Plastic housings with good resistance against chemicals and oils.

The resistance to aggressive media should be individually tested for your application. Further details on request.

**Illustration**

Product may differ from Image

**Approvals**

\* only for products with UL/CSA approved cable

## More Info

EtherNet/IP



## Form

Form 44581

## Cables

|                                    |  |
|------------------------------------|--|
| No./diameter of wires              | 2 × 2 × 0.34 mm <sup>2</sup>   |
| Wire isolation                     | PE (wh, ye, bl, or)  |
| C-track properties                 | 3 Mio.   |
| Jacket Color                       | green  |
| Material (jacket)                  | PUR (UL/CSA)   |
| Outer Ø                            | 6.7 mm ±5%   |
| Bend radius (moving)               | 12 × outer Ø   |
| Temperature range (fixed)          | -40...+80 °C   |
| Temperature range (mobile)         | -30...+70 °C   |
| Cable identification               | 796  |
| Approval (cable)                   | UL (AWM-Style 20233/11602), CSA; CE  |
| Cable weight [g/m]                 | 69,3   |
| Material (wire)                    | Cu wire, bare  |
| Resistor (core)                    | max. 55 Ω/km (20 °C)   |
| Diameter (core)                    | 2 × 2 × AWG22  |
| Material (wire isolation)          | PE   |
| Wire-Ø incl. isolation             | 1.4 mm ±5%   |
| Color/numbering of wires           | wh, ye, bl, or   |
| Shield                             | yes  |
|                                    | min. 85%   |
| Material (jacket)                  | PUR  |
| Outer-Ø (jacket)                   | 6.7 mm ±5%   |
| Color (jacket)                     | green  |
| thermal resistance                 | flammwidrig nach UL 1581 Section 1060 (FT1), Section 1061 (cable flame), Section 1080 (VW-1) / IEC 60332-1-2 |
| Nominal voltage                    | 300 V  |
| Temperature range (fixed)          | -40...+80 °C   |
| Temperature range (mobile)         | -30...+70 °C   |
| Bend radius (fixed)                | 5 × outer Ø  |
| Bend radius (moving)               | 12 × outer Ø   |
| No. of bending cycles (C-track)    | max. 3 Mio. (25 °C)  |
| Traversing distance (C-track)      | max. 5 m (horizontal)  |
| Travel speed (C-track)             | max. 3.3 m/s   |
| Acceleration (C-track)             | max. 2 m/s <sup>2</sup>  |
| <b>Technical Data</b>              |  |
| Operating voltage                  | max. 60 V DC   |
| Operating voltage (only UL listed) | max. 30 V DC   |
| Rated surge voltage                | 1.5 kV   |
| Operating current per contact      | max. 4 A   |
| Material group                     | IEC 60664-1, category I  |
| Transfer parameters                | CAT5, Class D (ISO/IEC 11801:2002), (EN 50173-1)   |

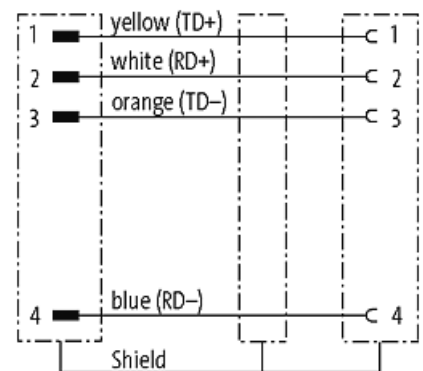
|   |  |
|---|--|
| Transfer rate                             | up to 100 Mbit/s full duplex                                     |
| Coding                                    | M12, D-coded   |
| Locking of ports                          | Screw thread (M12×1 mm) recommended torque 0.6 Nm, self-securing |
| Compression gland                         | M12 (SW13)   |
| Protection                                | IP65, IP66K, IP67 inserted and tightened (EN 60529)              |
| Locking material                          | Zinc die casting, matte nickel plated                            |
| Material                                  | PUR  |
| suitable for corrugated tube (internal Ø) | without  |

**General data**

|                   |  |
|-------------------|--|
| Standards         | DIN EN 61076-2-101 (M12)                 |
| Pollution Degree  | 3  |
| Temperature range | -25...+85 °C, depending on cable quality |

**Commercial data**

|                       |               |
|-----------------------|---------------|
| country of origin     | DE            |
| customs tariff number | 85444290      |
| EAN                   | 4048879321488 |
| eClass                | 27061801      |
| Packaging unit        | 1             |

**Sketch**

Product may differ from Image