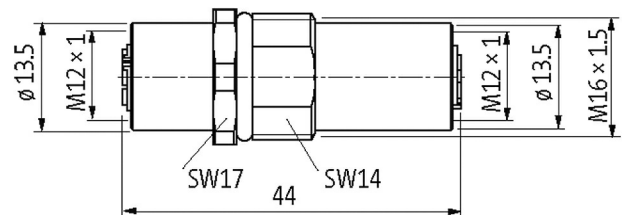


**M12 gender-changer female / female D-cod.**

Ethernet CAT5  
Control cabinet entry system  
Female - female  
M12, 4-pole  
D-coded  
shielded

**Illustration**

Product may differ from Image

**More Info**

EtherNet/IP

**Form**

Form 44611

**Technical Data**

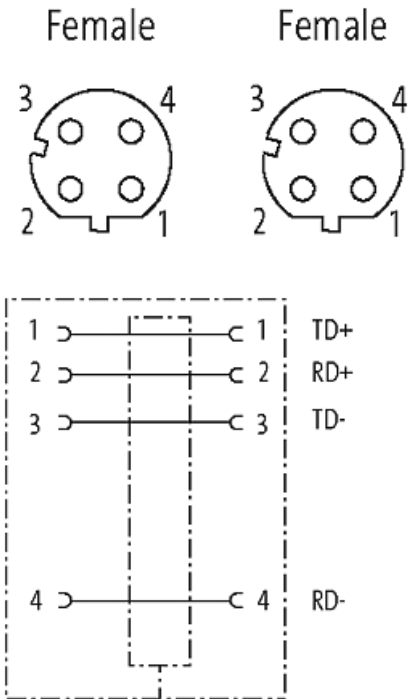
Operating voltage	max. 60 V AC/DC
Rated surge voltage	0.8 kV
Operating current per contact	max. 4 A
Transfer parameters	CAT5, Class D (ISO/IEC 11801:2002), (EN 50173-1)
Transfer rate	up to 100 Mbit/s full duplex
Coding	M12, D-coded
Locking of ports	Screw thread (M12x1 mm) recommended torque 0.6 Nm, self-securing
Compression gland	M16 (SW19)
Protection	IP67 inserted and tightened (EN 60529)
Material	Brass, nickel plated

**General data**

Temperature range -25...+85 °C

**Commercial data**

country of origin	DE
customs tariff number	85366990
EAN	4048879140928
eClass	27279220
Packaging unit	1

**Sketch**

Product may differ from Image