

M12 Bu. D-cod. / RJ45 Ethernet adapter 90° 4-pol.

Ethernet CAT5

Control cabinet entry system

Female straight – female 90°

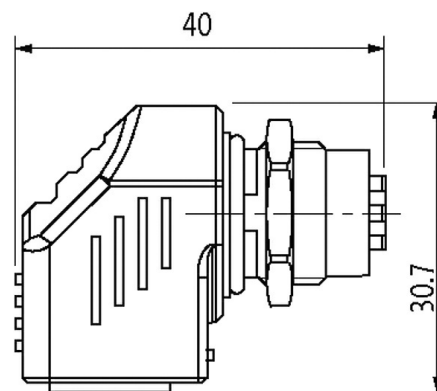
M12 – RJ45, 4-pole

D-coded

shielded

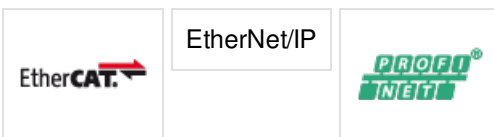
Plastic housings with good resistance against chemicals and oils.

The resistance to aggressive media should be individually tested for your application. Further details on request.

Illustration

Depth: 23 mm

Product may differ from Image

More Info**Form**

Form 44681

General data

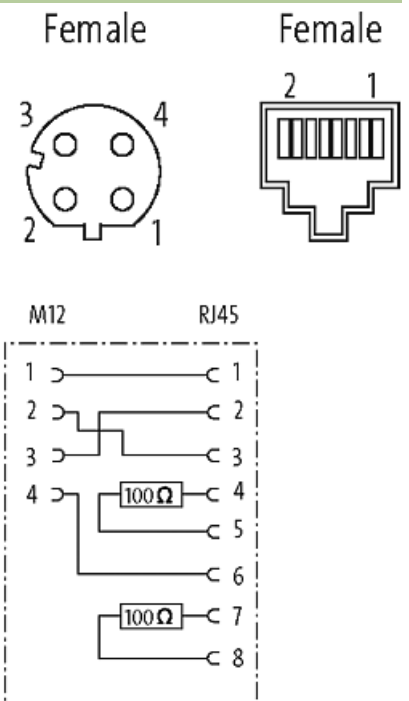
Temperature range -25...+85 °C

Technical Data

Operating voltage	max. 60 V DC
Operating current per contact	max. 1.76 A
Transfer parameters	CAT5, Class D (ISO/IEC 11801:2002), (EN 50173-1)
Transfer rate	up to 100 Mbit/s full duplex
Coding	M12, D-coded
Protection	IP68 (M12) - IP20 (RJ45)
Locking material	Brass, chrome plated
Material	PUR

Commercial data

country of origin	CZ
customs tariff number	85366990
EAN	4048879575812
eClass	27143423
Packaging unit	1

Sketch

Product may differ from Image