

M12 male 0° / M12 female 90° shielded Y-cod.

PUR AWG20+26 shielded gn UL/CSA+robot+drag ch 10m

Male straight – female 90°

M12, Y-coded

8-pole, shielded

Ethernet CAT5

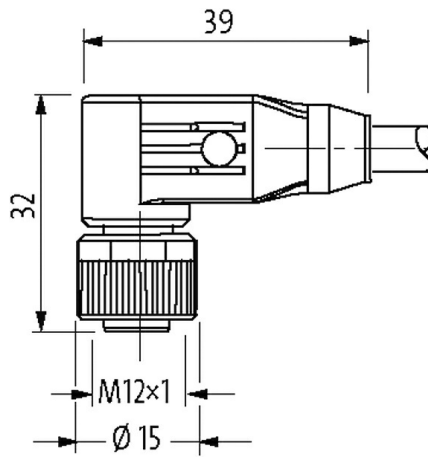
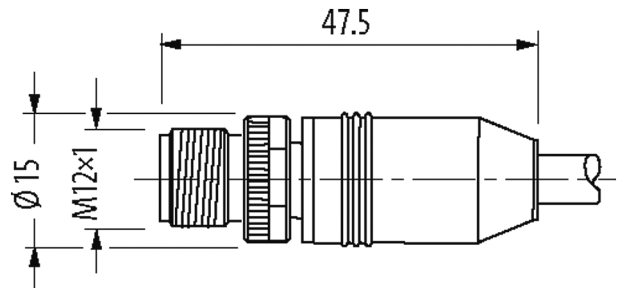
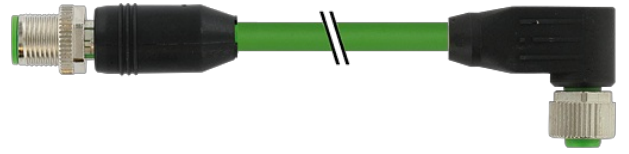
Further cable lengths on request.

Plastic housings with good resistance against chemicals and oils.

The resistance to aggressive media should be individually tested for your application. Further details on request.

[Link to Product](#)

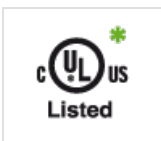
Illustration



| | | | |
|---|---|--------------|-----|
| 1 | ■ | white/orange | C 1 |
| 2 | ■ | orange | C 2 |
| 3 | ■ | white/green | C 3 |
| 4 | ■ | green | C 4 |
| 5 | ■ | blue | C 5 |
| 6 | ■ | white | C 6 |
| 7 | ■ | brown | C 7 |
| 8 | ■ | black | C 8 |
| | | shield | |

Product may differ from Image

Approvals



* only for products with UL/CSA approved cable

More Info



| Form | |
|------------------------------------|--|
| Form | 47061 |
| General data | |
| Pollution Degree | 3 |
| Temperature range | -25...+85 °C, depending on cable quality |
| Cables | |
| Cable number | 831 |
| No./diameter of wires | 4 × 0.5 + 1 × 4 × 0.14 mm ² |
| Wire isolation | PUR (bl, wh, br, bk, (whor, or)) + (whgn, gn) |
| C-track properties | 5 Mio. |
| Jacket Color | green |
| Material (jacket) | PUR (UL/CSA) |
| Outer Ø | 8.1 mm ±5% |
| Bend radius (moving) | 10 × outer Ø |
| Temperature range (fixed) | -50...+80 °C |
| Temperature range (mobile) | -40...+80 °C |
| Cable identification | 831 |
| Approval (cable) | UL (AWM-Style 20233/10493), CSA; CE conform |
| Cable weight [g/m] | 107,8 |
| Diameter (core) | 4 × 0.5 + 1 × 4 × 0.14 mm ² |
| Material (wire isolation) | PP |
| Material property (wire isolation) | CFC-, halogen-, cadmium-, silicone- and lead-free |
| Shore hardness (wire isolation) | 55 ±5 D |
| Color/numbering of wires | (bk, br, wh, bl), (whor, or, whgn, gn) |
| Shield | yes |
| | min. 85% |
| Material (jacket) | PUR |
| Material property (jacket) | CFC-, halogen-, cadmium-, silicone- and lead-free, matt, low-adhesion, machine easy to process, abrasion-resistant, hydrolysis and microbial resistant |
| Shore hardness (jacket) | 90 ±5 A |
| Outer-Ø (jacket) | 8.1 mm ±5% |
| Color (jacket) | green |
| chemical resistance | good resistance to oil, gasoline and chemicals (VDE 0472 Teil 803 Test B) |
| thermal resistance | flame retardant UL 1581 VW1 / CSA FT1 / IEC 60332-1, IEC 60332-2-2 |
| Nominal voltage | 60 V AC |
| Test voltage | 1000 V AC |
| Current load capacity | to DIN VDE 0298-4 |
| Temperature range (fixed) | -50...+80 °C |
| Temperature range (mobile) | -40...+80 °C, (+90 °C at max. 10 000 operating hours) |
| Bend radius (fixed) | 5 × outer Ø |
| Bend radius (moving) | 10 × outer Ø |
| No. of bending cycles (C-track) | max. 5 Mio. (25 °C) |
| Traversing distance (C-track) | max. 5 m (horizontal) |
| Travel speed (C-track) | max. 3.3 m/s |

| | |
|------------------------|-------------------------|
| Acceleration (C-track) | max. 5 m/s ² |
| Torsion stress | ±30 °/m |
| No. of torsion cycles | max. 2 Mio. (25 °C) |
| Torsion speed | 35 cycles/min |

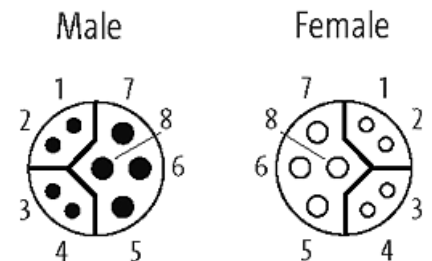
Technical Data

| | |
|------------------------------------|--|
| Operating voltage | max. 50 V AC/DC |
| Operating voltage (only UL listed) | 30 V DC |
| Rated surge voltage | 0.8 kV |
| Operating current per contact | 0.5 A (Data), 6 A (Power) |
| Material group | IEC 60664-1, category I |
| Transfer parameters | CAT5, Class D (ISO/IEC 11801:2002), (EN 50173-1) |
| Transfer rate | up to 100 Mbit/s full duplex |
| Coding | Y-coded |
| Locking of ports | Screw thread (M12×1 mm) recommended torque 0.6 Nm, self-securing |
| Compression gland | M12 (SW13) |
| Protection | IP67 inserted and tightened (EN 60529) |
| Locking material | Zinc die casting, matte nickel plated |
| Material | PUR |

Commercial data

| | |
|-----------------------|---------------|
| country of origin | DE |
| customs tariff number | 85444290 |
| EAN | 4048879643351 |
| eClass | 27061801 |
| Packaging unit | 1 |

Sketch



Product may differ from Image