

**M12 male 0° / M12 female 90° shielded**

PUR 8x0.25 shielded gy UL/CSA+drag chain 7,5m

shielded

Art-No. 7005 - M12 Lite - (plastic hexagonal screw) on request

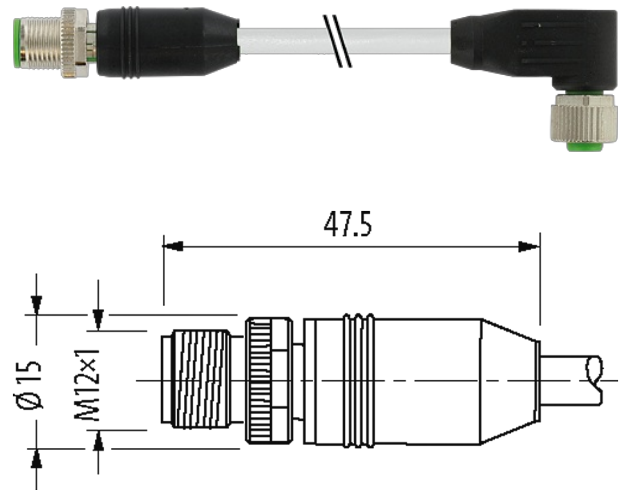
Male straight – female 90°

M12 – M12, 8-pole

Plastic housings with good resistance against chemicals and oils.

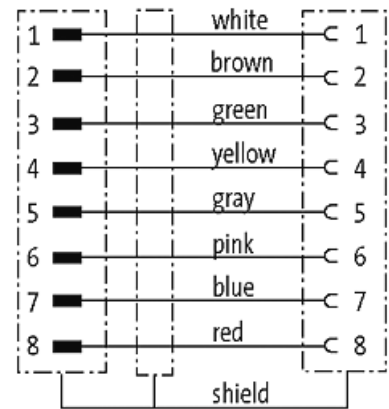
The resistance to aggressive media should be individually tested for your application. Further details on request.

Further cable lengths on request.

**Link to Product****Illustration**

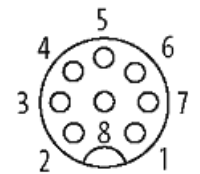
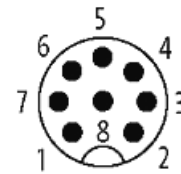
Product may differ from Image

**Sketch**



Male

Female



Product may differ from Image