

**M12 male 90° / male 90° shielded X-cod. Gigabit**

PUR 4x2xAWG26 shielded gn UL/CSA 5m

Ethernet CAT6A

Male 90° – male 90°

M12 – M12, 8-pole

X-coded

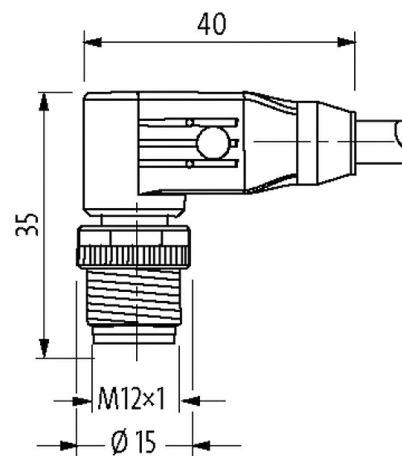
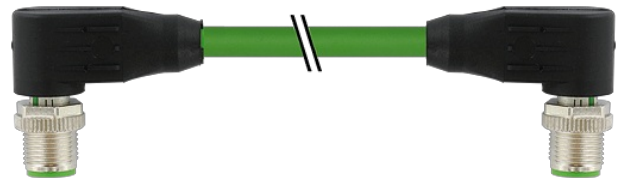
shielded

Transmission properties with channel transmission up to 50 m

Further cable lengths on request.

Plastic housings with good resistance against chemicals and oils.

The resistance to aggressive media should be individually tested for your application. Further details on request.

[Link to Product](#)**Illustration**

Product may differ from Image

**Approvals**

\* only for products with UL/CSA approved cable

**Form**

Form 51021

**General data**

Temperature range -25...+85 °C, depending on cable quality

Standards DIN EN 61076-2-109 (M12)

**Cables**No./diameter of wires 4 x 2 x 0.14 mm<sup>2</sup>

Wire isolation	PE (whbl, bl, whor, or, whgn, gn, whbr, br)
Material (jacket)	PUR (UL/CSA)
Outer Ø	6.4 mm ±5%
Bend radius (moving)	10× outer Ø
Temperature range (fixed)	-30...+80 °C
Temperature range (mobile)	-10...+50 °C
Cable identification	790
Approval (cable)	UL (AWM-Style 20236/1598), CSA; CE
Cable weight [g/m]	52,80
Material (wire)	Cu wire, bare
Resistor (core)	max. 143 Ω/km (20 °C)
Single wire Ø (core)	0.16 mm
Diameter (core)	4 × 2 × 0.14 mm <sup>2</sup>
Material (wire isolation)	PE
Wire-Ø incl. isolation	1.05 mm ±5%
Color/numbering of wires	wh/or+or, wh/bl+bl, wh/br+br, wh/gn+gn
Shield	yes
	min. 65%
Material (jacket)	PUR
Outer-Ø (jacket)	6.4 mm ±5%
Color (jacket)	green
thermal resistance	flame retardant
Nominal voltage	125 V AC
Test voltage	1500 V (wire/wire); 1000 V (wire/shield)
Temperature range (fixed)	-40...+80 °C
Temperature range (mobile)	-10...+50 °C
Bend radius (fixed)	8 × outer Ø
Bend radius (moving)	10 × outer Ø
Jacket Color	green

#### Technical Data

Operating voltage	max. 50 V AC/60 V DC
Operating voltage (only UL listed)	max. 30 V AC/DC
Rated surge voltage	1.5 kV
Operating current per contact	max. 0.5 A
Transfer parameters	CAT6, Class EA (ISO/IEC 11801:2002), (EN 50173-1)
Transfer rate	10 Gbit/s
Coding	X-coded
Locking of ports	Screw thread (M12×1 mm) recommended torque 0.6 Nm, self-securing
Protection	IP65 and IP67 when plugged and screwed down (EN 60529)
Locking material	Zinc die casting, matte nickel plated
Material	PUR

#### Commercial data

country of origin	DE
customs tariff number	85444290
EAN	4048879721936
eClass	27061801
Packaging unit	1