

RJ45 professional male 45° 8 pol. shielded

Gigabit

Ethernet CAT6A

Male 90°

RJ45, 8-pole

shielded

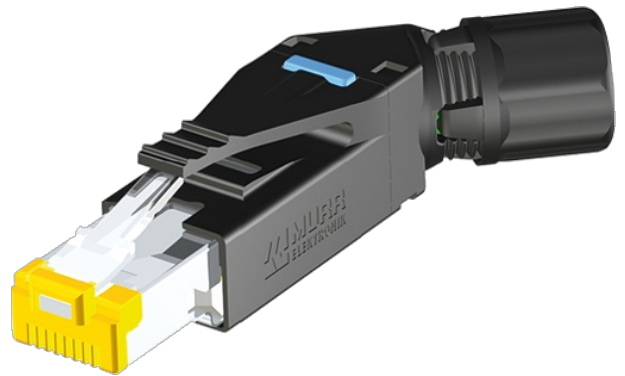
IDC terminals

Protection IP20

Quick connection technology

Plastic housings with good resistance against chemicals and oils.

The resistance to aggressive media should be individually tested for your application. Further details on request.

[Link to Product](#)**Illustration**

Product may differ from Image

Approvals**More Info**

EtherNet/IP

Form

Form 74031

General data

Temperature range -40...+70 °C

Technical Data

Operating voltage max. 60 V DC

Operating current per contact max. 1.76 A

Transfer parameters CAT6, Class EA (ISO/IEC 11801:2002), (EN 50173-1)

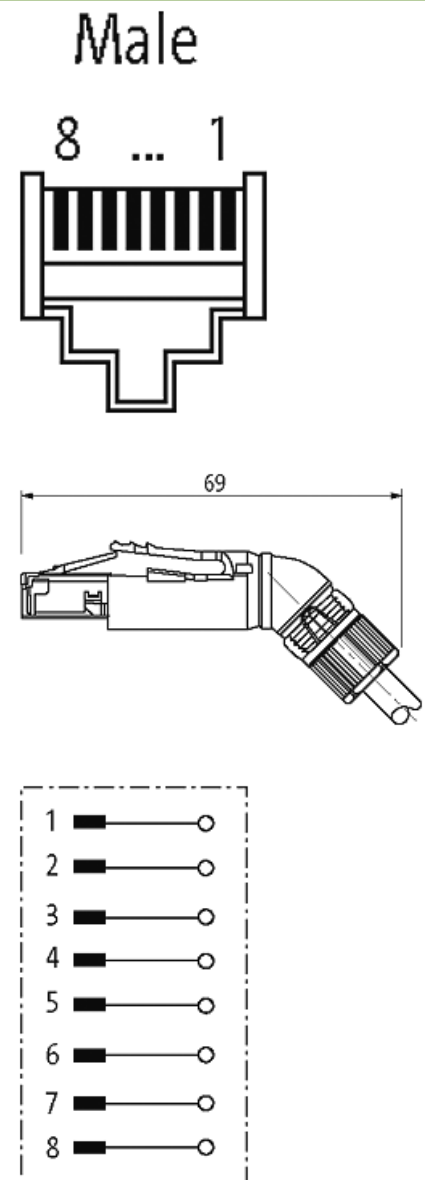
Transfer rate 10 Gbit/s

Connection cross section 0.14...0.34 mm² (AWG 26...22)

Sealing range (cable Ø)	4.5...8.0 mm
Outer wire Ø	max. 1.6 mm
Protection	IP20

Commercial data

country of origin	RO
customs tariff number	85366990
EAN	4048879355551
eClass	27279221
Packaging unit	1

Sketch

Product may differ from Image