

M23 SERVO CABLE

Specification: 6FX5002-5CS01-1AC5

Power cable for SINAMICS S120 and Motors with M23 connection

Female straight – pre-wired terminals

M23, 6-pole

4-pole used

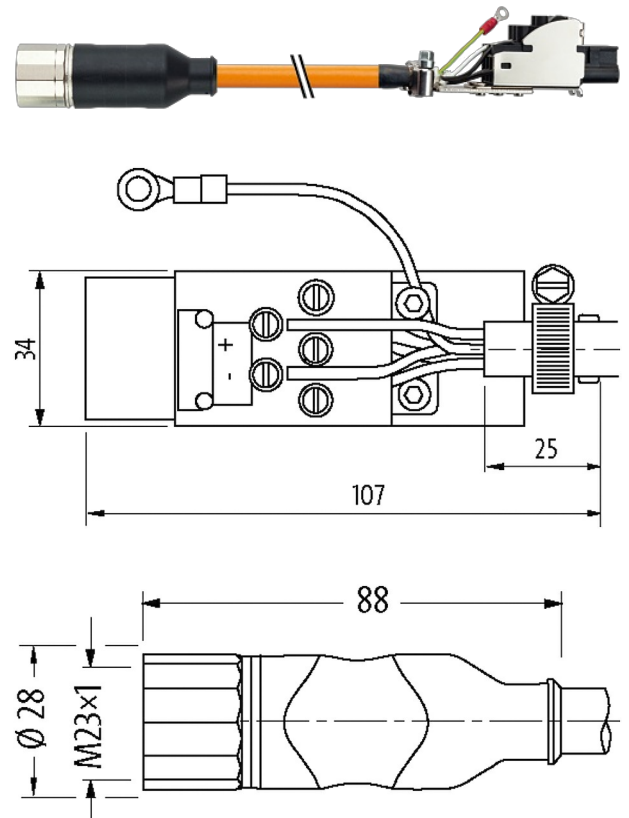
Further cable lengths on request.

Plastic housings with good resistance against chemicals and oils.

The resistance to aggressive media should be individually tested for your application. Further details on request.

[Link to Product](#)

Illustration



Product may differ from Image

Form

Form PS015

General data

Pollution Degree 3

Temperature range -25...+85 °C, depending on cable quality

Cables

Cable number 865

No./diameter of wires (4G1.5+C)

Wire isolation TPM (bk num, gnye)

C-track properties 0.1 Mio.

Torsion stress ±30 °/m

Jacket Color	orange
Material (jacket)	PVC (UL/CSA) (=MC500)
Specification	6FX5008-1BB11
Outer Ø	8.0 mm ±5%
Bend radius (fixed)	5× outer Ø
Bend radius (moving)	18× outer Ø
Temperature range (fixed)	-25...+80 °C
Temperature range (mobile)	-5...+60 °C
Shield	yes
Approval (cable)	UL (AWM-Style 2570/10492), CSA
Diameter (core)	4× 2.5 mm ²

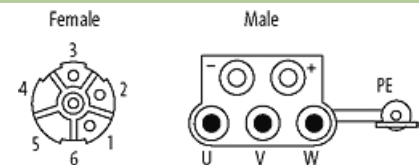
Technical Data

Operating voltage	max. 630 V AC/DC
Operating current per contact	Power cores: 12 A (1.5 mm ²), 15 A (2.5 mm ²); brake cores: 5 A (1.5 mm ²)
Locking of ports	Screw thread (M23×1 mm) recommended torque 2.0 Nm, self-securing
Compression gland	M23 (SW27)
Protection	IP20/IP67
Locking material	Brass, nickel plated
Material	PUR

Commercial data

country of origin	DE
customs tariff number	85444290
EAN	4048879530101
Packaging unit	1

Sketch



Product may differ from Image