

DRIVE CLIQ CABLE

Specification: 6FX5002-2DC10-1BA0

DRIVE-CLiQ signal cable for SINAMICS S120 and motors with DC 24 V wires

Male straight – male straight

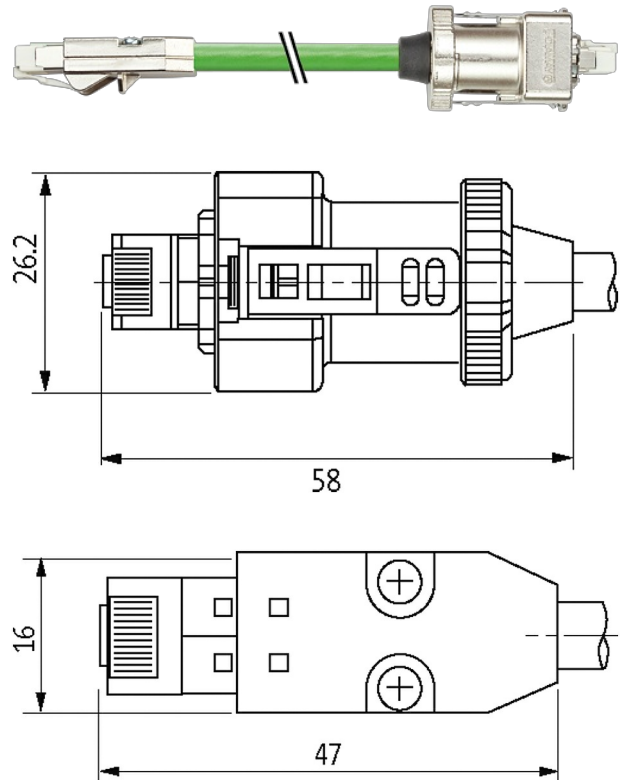
DRIVE-CLiQ IP20 – DRIVE-CLiQ IP67, 10-pole

Further cable lengths on request.

The resistance to aggressive media should be individually tested for your application. Further details on request.

[Link to Product](#)

Illustration



Product may differ from Image

Form

Form SS051

General data

Pollution Degree	3
Mounting method	pluggable
Temperature range	-20...+80 °C, depending on cable quality

Cables

Cable number	881
No./diameter of wires	2 × 2 × AWG24 + 1 × 2 × AWG22
Wire isolation	PE (gnye, pkbl, rdbk)
C-track properties	0.1 Mio.
Torsion stress	±30°/m
Jacket Color	green

Material (jacket)	PVC (UL/CSA)
Specification	6FX5008-1DC00
Outer Ø	6.9 mm ±5%
Bend radius (fixed)	5 × outer Ø
Bend radius (moving)	20 × outer Ø
Temperature range (fixed)	-20...+70 °C
Temperature range (mobile)	-5...+70 °C
Shield	yes

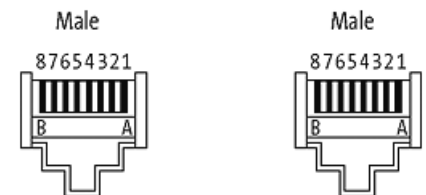
Technical Data

Operating voltage	max. 30 V AC/DC
Rated surge voltage	0.5 kV
Operating current	max. 1.76 A
Material group	IEC 60664-1, category II
Locking of ports	DRIVE-CLiQ-System
Protection	IP20/IP67

Commercial data

country of origin	DE
customs tariff number	85444210
EAN	4048879506472
eClass	27061801
Packaging unit	1

Sketch



Product may differ from Image