

Drive Cliq IP20 / M12 female 0° shielded 8p.

Specification: 6FX8002-2DC30-1AE0

Female straight – male straight

Plastic housings with good resistance against chemicals and oils.

M12, 8-pole

DRIVE-CLiQ IP20, 10-pole

partly used

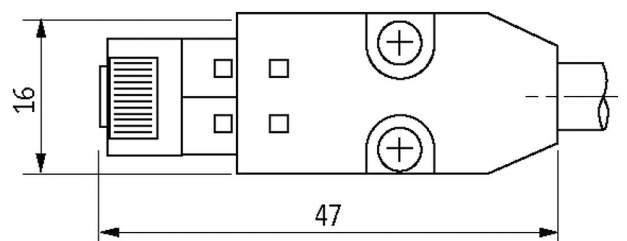
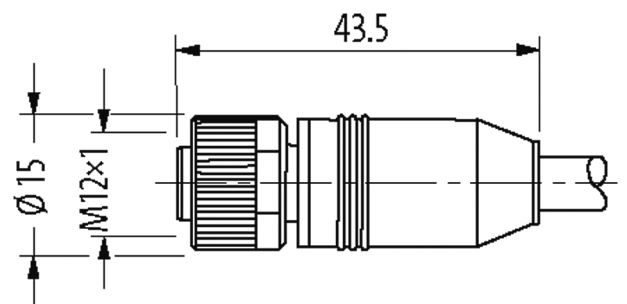
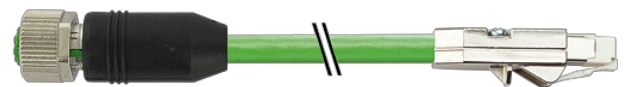
shielded

without cable sleeves

Ethernet CAT5

Further cable lengths on request.

The resistance to aggressive media should be individually tested for your application. Further details on request.

[Link to Product](#)**Illustration**

Product may differ from Image

More Info

EtherNet/IP

Form

Form SS071

General data

Pollution Degree 3

Temperature range -20...+80 °C, depending on cable quality

| Cables | |
|-------------------------------------------|------------------------------------------------------------------|
| Cable number | 880 |
| No./diameter of wires | 2× 2× 0.20 + 1× 2× 0.38 |
| Wire isolation | PO (gnye, pkbl, rdbk) |
| C-track properties | 5 Mio. |
| Jacket Color | green |
| Material (jacket) | PUR (UL/CSA) |
| Outer Ø | 6.9 mm ±5% |
| Bend radius (moving) | 10× outer Ø |
| Temperature range (fixed) | -20...+80 °C |
| Temperature range (mobile) | -20...+60 °C |
| Shield | yes |
| | min. 85% |
| Material (jacket) | PUR |
| Torsion stress | ±30 °/m |
| Specification | MC800+ (6FX8008-1DC00) |
| Technical Data | |
| Operating voltage | max. 30 V AC/DC |
| Rated surge voltage | 0.5 kV |
| Operating current per contact | max. 1.76 A |
| Material group | IEC 60664-1, category II |
| Transfer parameters | CAT5, Class D (ISO/IEC 11801:2002), (EN 50173-1) |
| Transfer rate | up to 100 Mbit/s full duplex |
| Coding | A-coded |
| Locking of ports | Screw thread (M12×1 mm) recommended torque 0.6 Nm, self-securing |
| Compression gland | M12 (SW13) |
| Protection | IP67 (M12) - IP20 (DRIVE-CLiQ) |
| Locking material | Zinc die casting, matte nickel plated |
| Material | PUR |
| suitable for corrugated tube (internal Ø) | without |
| Commercial data | |
| country of origin | DE |
| customs tariff number | 85444210 |
| EAN | 4048879682879 |
| eClass | 27061801 |
| Packaging unit | 1 |