

M12 male 0° / M12 fem. 0° shielded 8p.

Specification: 6FX8002-2DC34-1AG3

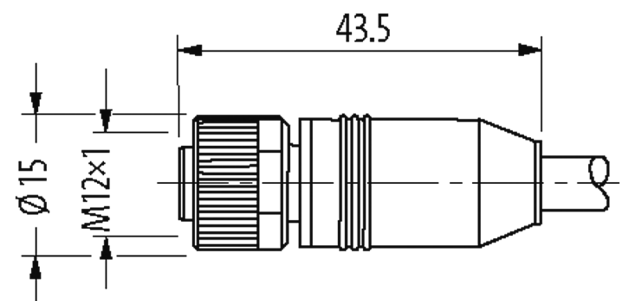
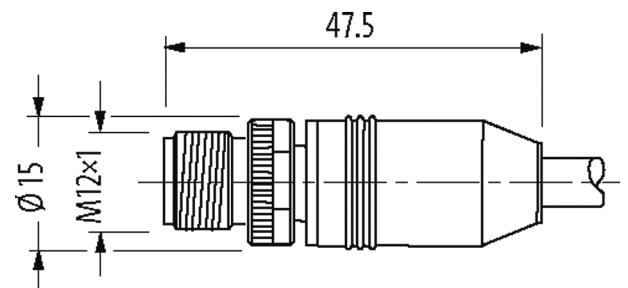
Male straight – female straight

M12 – M12, 8-pole

Further cable lengths on request.

Plastic housings with good resistance against chemicals and oils.

The resistance to aggressive media should be individually tested for your application. Further details on request.

[Link to Product](#)**Illustration**

Product may differ from Image

Form

Form SS081

General data

Temperature range -25...+85 °C, depending on cable quality

Cables

| | |
|---------------------------|-----------------------------|
| Cable number | 880 |
| No./diameter of wires | 2 × 2 × 0.20 + 1 × 2 × 0.38 |
| Wire isolation | PO (gnye, pkbl, rdbk) |
| C-track properties | 5 Mio. |
| Jacket Color | green |
| Material (jacket) | PUR (UL/CSA) |
| Outer Ø | 6.9 mm ±5% |
| Bend radius (moving) | 10 × outer Ø |
| Temperature range (fixed) | -20...+80 °C |

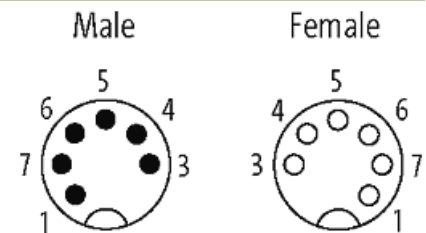
| | |
|----------------------------|------------------------|
| Temperature range (mobile) | -20...+60 °C |
| Shield | yes |
| | min. 85% |
| Material (jacket) | PUR |
| Torsion stress | ±30 °/m |
| Specification | MC800+ (6FX8008-1DC00) |

Technical Data

| | |
|-------------------------------|--|
| Operating voltage | max. 30 V AC/DC |
| Operating current per contact | max. 2 A |
| Coding | A-coded |
| Locking of ports | Screw thread (M12×1 mm) recommended torque 0.6 Nm, self-securing |
| Compression gland | torque calibrated 0.6 Nm |
| Protection | IP67 |
| Material | Brass, nickel plated |

Commercial data

| | |
|-----------------------|---------------|
| country of origin | DE |
| customs tariff number | 85444290 |
| EAN | 4048879690447 |
| eClass | 27061801 |
| Packaging unit | 1 |

Sketch

Product may differ from Image