

M12 MALE 90° / M12 FEMALE 90° MASI

PUR 2x1,5 GRAY, UL/CSA 10m

AS-Interface

Male 90° – female 90°

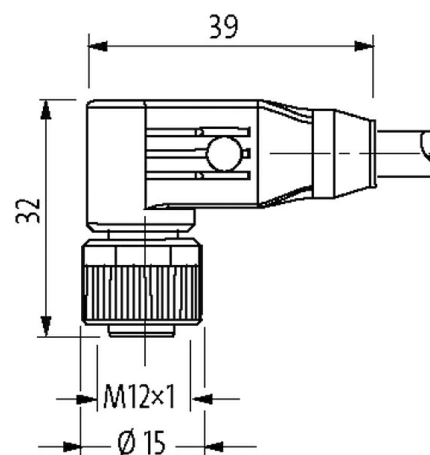
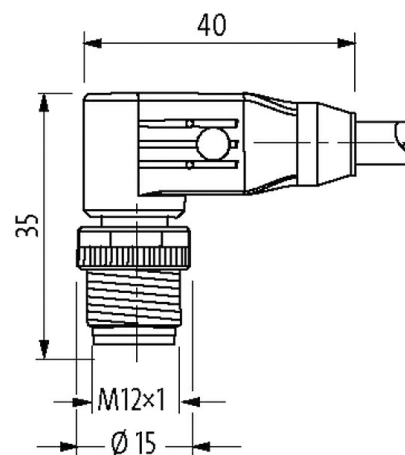
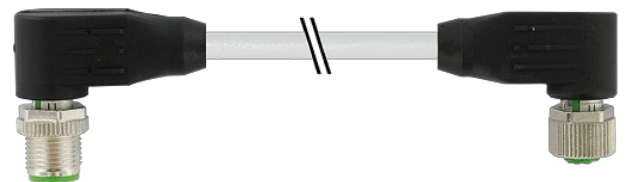
M12 – M12, 2-pole

for MASI68

Plastic housings with good resistance against chemicals and oils.

The resistance to aggressive media should be individually tested for your application. Further details on request.

Further cable lengths on request.

[Link to Product](#)**Illustration**

Product may differ from Image

Approvals



More Info



Form

Form 40245

Cables

| | |
|------------------------------------|--|
| No./diameter of wires | 2× 1.5 mm ² |
| Wire isolation | PP (br, bl) |
| C-track properties | 5 Mio. |
| Material (jacket) | PUR (UL/CSA) |
| Outer Ø | 8.0 mm ±5% |
| Bend radius (moving) | 15× outer Ø |
| Temperature range (fixed) | -50...+80 °C |
| Temperature range (mobile) | -25...+80 °C |
| Cable identification | 588 |
| Approval (cable) | UL (AWM-Style 21198/10493), CSA |
| Cable weight [g/m] | 80,30 |
| Material (wire) | Cu wire, bare |
| Resistor (core) | max. 13.3 Ω/km (20 °C) |
| Single wire Ø (core) | 0.25 mm |
| Construction (core) | 30× 0.25 mm (multi-strand wire class 5) |
| Diameter (core) | 2× 1.5 mm ² |
| AWG | similar to AWG 16 |
| Material (wire isolation) | PP |
| Material property (wire isolation) | CFC-, halogen-, cadmium-, silicone- and lead-free |
| Shore hardness (wire isolation) | 70 ±5 D |
| Wire-Ø incl. isolation | 2.95 mm ±5% |
| Color/numbering of wires | br, bl |
| Shield | no |
| Material (jacket) | PUR |
| Material property (jacket) | CFC-, halogen-, cadmium-, silicone- and lead-free, matt, low-adhesion, machine easy to process, abrasion-resistant, hydrolysis and microbial resistant |
| Shore hardness (jacket) | 90 ±5 A |
| Outer-Ø (jacket) | 8.0 mm ±5% |
| Color (jacket) | gray |
| chemical resistance | good resistance to oil, gasoline and chemicals (VDE 0472 Teil 803 Test B) |
| thermal resistance | flame retardant UL, CSA FT2 / IEC 60332-2-2 |
| Nominal voltage | 300 V AC |
| Test voltage | 2000 V AC |
| Current load capacity | to DIN VDE 0298-4 |
| Temperature range (fixed) | -50...+80 °C |
| Temperature range (mobile) | -25...+80 °C (+60 °C, C-track) |

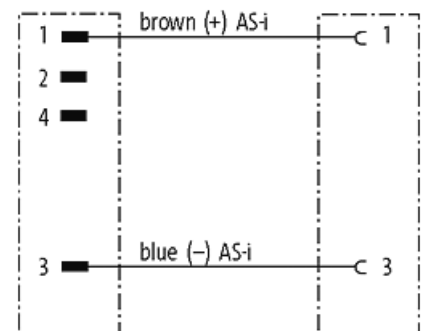
| | |
|---------------------------------|-------------------------|
| Bend radius (fixed) | 10× outer Ø |
| Bend radius (moving) | 15× outer Ø |
| No. of bending cycles (C-track) | max. 5 Mio. (25 °C) |
| Traversing distance (C-track) | max. 5 m (horizontal) |
| Travel speed (C-track) | max. 2 m/s |
| Acceleration (C-track) | max. 5 m/s ² |
| Jacket Color | gray |

Technical Data

| | |
|-------------------------------|--|
| Operating voltage | max. 250 V AC/DC |
| Operating current per contact | max. 4 A |
| Locking of ports | Screw thread (M12×1 mm) recommended torque 0.6 Nm, self-securing |
| Protection | IP66K, IP67 inserted and tightened (EN 60529) |
| Locking material | Zinc die casting, matte nickel plated |

Commercial data

| | |
|-----------------------|---------------|
| country of origin | DE |
| customs tariff number | 85444290 |
| EAN | 4048879286961 |
| eClass | 27279218 |
| Packaging unit | 1 |

Sketch

Product may differ from Image