

M12 male 0° / M12 female 0° shielded MASI

PUR-OB 2x1,0 shielded gy drag chain 10m

AS-Interface

The resistance to aggressive media should be individually tested for your application. Further details on request.

Further cable lengths on request.

Male straight – female straight

shielded

Male M12

4-pole

2-pole used

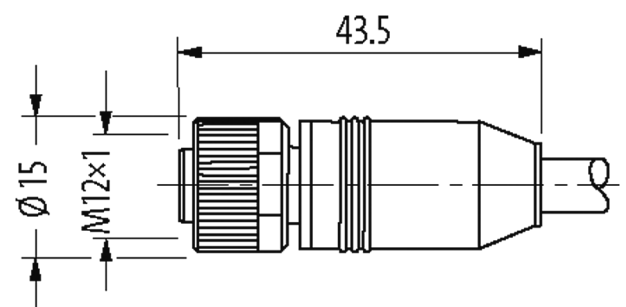
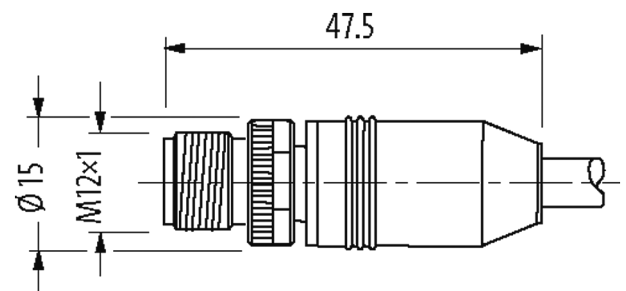
Female M12

2-pole

Plastic housings with good resistance against chemicals and oils.

[Link to Product](#)

Illustration



Product may differ from Image

Approvals



More Info

**Form**

Form 40485

General data

Standards DIN EN 61076-2-101 (M12)

Pollution Degree 3

Mounting method inserted, tightened

Cables

Cable number 542

No./diameter of wires 2x 1.0 mm²

Wire isolation PP (br, bl)

C-track properties 5 Mio.

Jacket Color gray

Material (jacket) PUR (UL/CSA)

Outer Ø 8.0 mm ±5%

Bend radius (moving) 15x outer Ø

Temperature range (fixed) -40...+80 °C

Temperature range (mobile) -25...+60 °C

Cable identification 542

Approval (cable) UL (AWM-Style 21198/10493), CSA

Cable weight [g/m] 82,50

Material (wire) Cu wire, bare

Resistor (core) max. 19.5 Ω/km (20 °C)

Single wire Ø (core) 0.15 mm

Construction (core) 55x 0.15 mm (multi-strand wire class 6)

Diameter (core) 2x 1.0 mm²

AWG similar to AWG 17

Material (wire isolation) PP

Material property (wire isolation) CFC-, halogen-, cadmium-, silicone- and lead-free

Shore hardness (wire isolation) 70 ±5 D

Wire-Ø incl. isolation 2.7 mm ±5%

Color/numbering of wires br, bl

Shield yes

min. 80%

Material (jacket) PUR

Material property (jacket) CFC-, halogen-, cadmium-, silicone- and lead-free, matt, low-adhesion, machine easy to process, abrasion-resistant, hydrolysis and microbial resistant

Shore hardness (jacket) 90 ±5 A

Outer-Ø (jacket) 8.0 mm ±5%

Color (jacket) gray

chemical resistance good resistance to oil, gasoline and chemicals (VDE 0472 Teil 803 Test B)

thermal resistance flame retardant UL, CSA FT2 / IEC 60332-2-2

Nominal voltage 300 V AC

Test voltage 2000 V AC

Current load capacity to DIN VDE 0298-4

Temperature range (fixed)	-40...+80 °C
Temperature range (mobile)	-25...+60 °C
Bend radius (fixed)	10× outer Ø
Bend radius (moving)	15× outer Ø
No. of bending cycles (C-track)	max. 5 Mio. (25 °C)
Traversing distance (C-track)	max. 5 m (horizontal)
Travel speed (C-track)	max. 2 m/s
Acceleration (C-track)	max. 5 m/s ²
Torsion stress	±90 °/m
No. of torsion cycles	max. 5 Mio.
Torsion speed	35 cycles/min

Technical Data

Operating voltage	max. 60 V AC/DC
Rated surge voltage	0.8 kV
Operating current per contact	max. 4 A
Material group	IEC 60664-1, category I
Coding	A-coded
LED display	no
Locking of ports	Screw thread (M12×1 mm) recommended torque 0.6 Nm, self-securing
Compression gland	M12 (SW13)
Protection	IP67, IP68 inserted and tightened (EN 60529)
Material	PUR
Locking material	Zinc die casting, matte nickel plated

Commercial data

country of origin	DE
customs tariff number	85444290
EAN	4048879534604
eClass	27279218
Packaging unit	1