

M12 male 90° / M12 female 90° CANopen/DeviceNet

RADOX EM 104 4x0.34 shielded bk 10m

DeviceNet, CANopen

Male 90° – female 90°

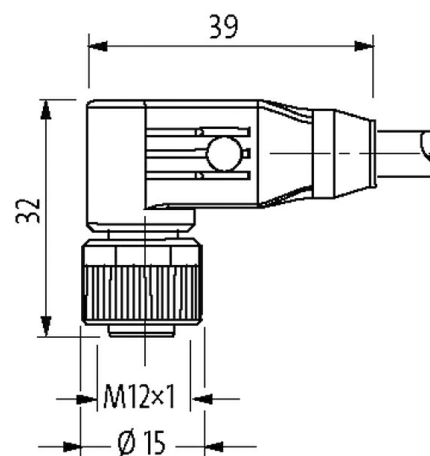
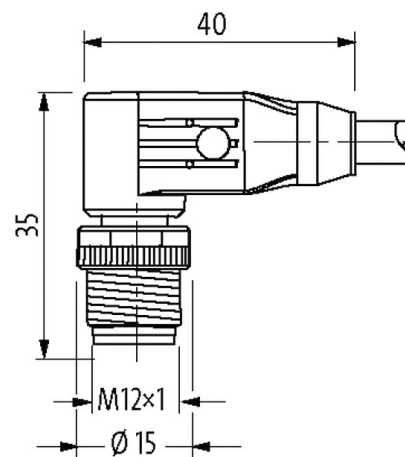
M12 – M12, 5-pole

with cable sleeves

Plastic housings with good resistance against chemicals and oils.

The resistance to aggressive media should be individually tested for your application. Further details on request.

Further cable lengths on request.

[Link to Product](#)**Illustration**

Product may differ from Image

More Info

DeviceNet


CANopen
Form

Form 40551

General data

Standards	DIN EN 61076-2-101 (M12)
Mounting method	inserted, tightened
Pollution Degree	3
Temperature range	-25...+85 °C, depending on cable quality

Cables

Cable identification	R66
Cable weight [g/m]	77,00
Material (wire)	Cu wire, tin plated
Resistor (core)	max. 55 Ω /km (20 °C)
Single wire \varnothing (core)	0.18 mm
Construction (core)	19× 0.18 mm
Diameter (core)	4× 0.34 mm ²
AWG	similar to AWG 22
Wire- \varnothing incl. isolation	1.55 mm \pm 5%
Color/numbering of wires	wh, ye, bl, or
Shield	yes
Material (jacket)	Radox EM 104
Outer- \varnothing (jacket)	6.6 mm \pm 5%
Color (jacket)	black
Nominal voltage	300 V AC
Test voltage	2000 V AC
Temperature range (fixed)	-50...+90 °C
Temperature range (mobile)	-40...+90 °C
Bend radius (fixed)	6× outer \varnothing
Bend radius (moving)	10× outer \varnothing

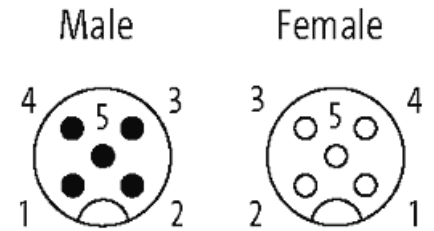
Technical Data

Operating voltage	max. 60 V AC/DC
Rated surge voltage	1.5 kV
Operating current per contact	max. 4 A
No. of poles	5
Material group	IEC 60664-1, category I
Coding	A-coded
LED display	no
Locking of ports	Screw thread (M12×1 mm) recommended torque 0.6 Nm, self-securing
Compression gland	M12 (SW13)
Material	PUR
Locking material	Zinc die casting, matte nickel plated
suitable for corrugated tube (internal \varnothing)	without

Commercial data

country of origin DE

customs tariff number	85444290
EAN	4048879696821
eClass	27061801
Packaging unit	1

Sketch

Product may differ from Image