

MCS-B POWER SUPPLY 1-PHASE,

IN: 95-265VAC OUT: 24V/2,5ADC

INPUT: 95...265 V AC
 OUTPUT: 24 V DC +3/-1%
 Current: 2.5 A

Illustration

Product may differ from Image

Approvals**Input**

Input voltage	95...265 V AC; 110...300 V DC
Input current	1.04 A (110 V AC); 0.63 A (230 V AC)
Inrush current after 1 ms	max. 20 A
Primary fusing external	max. 10 A
Frequency	50...60 Hz

Output

Output voltage	24 V DC (SELV), $\pm 1\%$; 22...28 V adjustable
Output current	2.5 A (+40 °C); 2.0 A (+55 °C)
Mains failure bridging time	min. 15 ms (110 V AC); min. 80 ms (230 V AC)
Ripple	max. 50 mV eff/rms
Spikes	max. 120 mV ss/pp
Unit protection	short-circuit and overload protected
LED display	LED (green) for output voltage
Parallel usage/serial usage	max. 5 units/max. 2 units

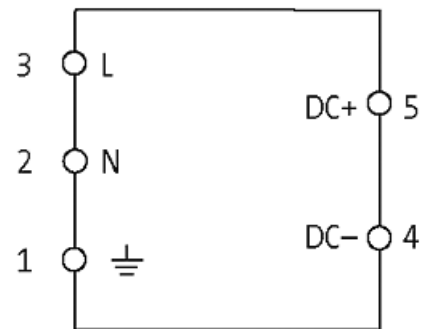
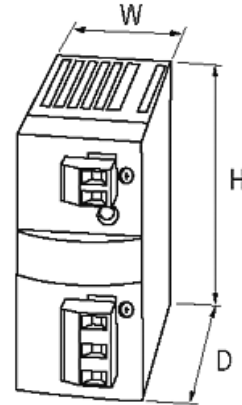
General data

Standards	EN 60950-1, EN 61204-3, EN 55022 B, EN 61000-3-2
Relative humidity	5...95%, no condensation
Efficiency	85% (110 V AC); 87% (230 V AC)
Dimensions H×W×D	76×38×108 mm

Mounting method	DIN-rail mountable TH35 (EN 60715)
Temperature range	-25...+40 °C, ...+50 °C derating (storage temperature -25...+85 °C)

Commercial data

country of origin	CZ
customs tariff number	85044090
EAN	4048879000116
eClass	27049002
Packaging unit	1

Sketch

Product may differ from Image