

## General Specifications

**Motor Structure:** Shaded Pole Induction Motor  
**Motor Protection:** Impedance Protection  
**Insulation Resistance:**  
 100M Ω or over with a DC500V Megger  
**Dielectric Withstand Voltage:** AC 1800V 3s  
**Allowable Ambient Temperature Range:**  
 -10°C ~ +70°C (Operating)  
 -40°C ~ +70°C (Storage)  
 (non-condensing environment)

## Expected Life

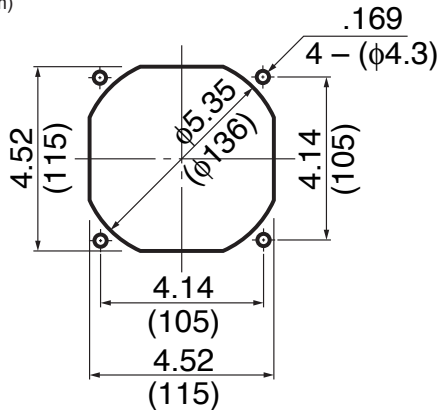
**Failure Rate:** 10%  
 25°C 100,000 Hours

## Material

**Casing :** Aluminum (Black Painting)  
**Impeller :** Plastic (Black) UL93V-0  
**Bearing :** Ball Bearing  
**Lead Wire :** AWG22, UL3266  
**or Terminal :** Faston #110 or equivalent

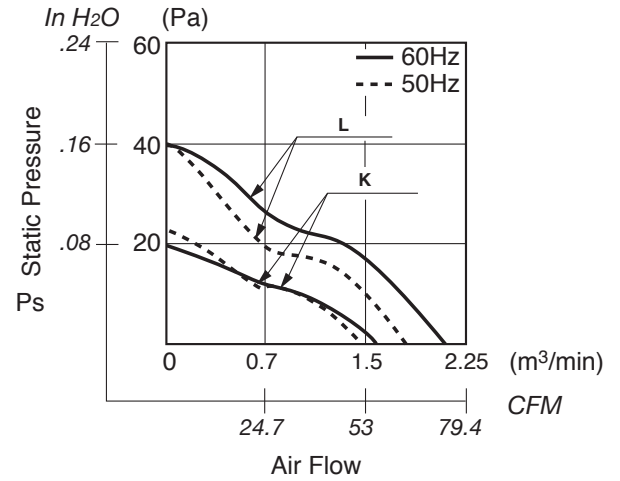
## Panel Cut-Outs

Units:  $\frac{\text{inch}}{\text{mm}}$

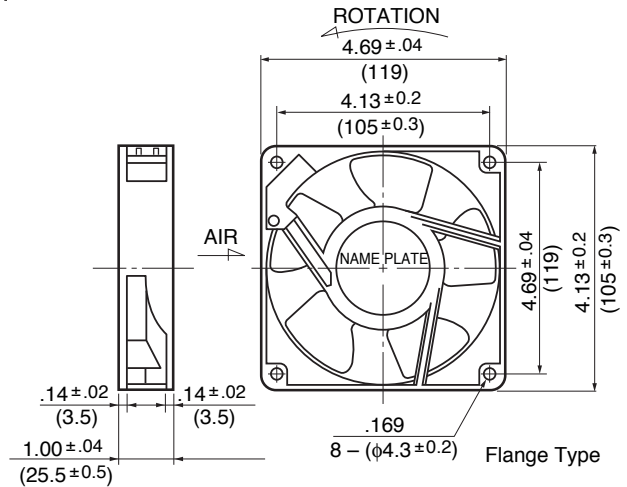


INLET SIDE / OUTLET SIDE

## Characteristic Curves



## Outline



## Specifications

	MODEL	LEGACY P/N	Rated Voltage	Frequency	Starting Voltage	Current	Input Power	Speed	Max. Air Flow		Max. Static Pressure		Noise	Mass
			(V)	(Hz)	(V)	(A) <sup>*1</sup>	(W)	(min <sup>-1</sup> ) <sup>*2</sup>	CFM <sup>*1</sup>	(m <sup>3</sup> /min) <sup>*2</sup>	in H <sub>2</sub> O	(Pa) <sup>*2</sup>	(dB) <sup>*2</sup>	(g)
**	11925PB-A0K-EA-00	4710PS-10T-B20-B00	100	50	65	0.120	8.0	1900	49.4	1.40	.08	19.6	29.0	360
			100	60	65	0.100	7.0	2100	53.0	1.50	.086	21.5	30.0	360
**	11925PB-A0L-EA-00	4710PS-10T-B30-B00	100	50	65	0.220	14.0	2300	63.5	1.80	.16	41.1	34.0	360
			100	60	65	0.180	11.0	2700	70.6	2.00	.16	41.1	38.0	360
	11925PB-A1K-EA-00	4710PS-12T-B20-A00	115	50	75	0.100	8.0	1900	49.4	1.40	.09	23.5	29.0	360
			115	60	75	0.090	7.0	2000	53.0	1.50	.08	21.5	30.0	360
	11925PB-A1L-EA-00	4710PS-12T-B30-A00	115	50	75	0.190	14.0	2300	63.5	1.80	.16	41.1	34.0	360
			115	60	75	0.160	11.0	2700	70.6	2.00	.16	41.1	38.0	360
**	11925PB-B0K-EA-00	4710PS-20T-B20-B00	200	50	130	0.070	9.0	1900	45.9	1.30	.08	19.6	29.0	360
			200	60	160	0.060	8.0	2000	53.0	1.50	.086	21.5	30.0	360
**	11925PB-B0L-EA-00	4710PS-20T-B30-B00	200	50	130	0.110	14.0	2300	63.5	1.80	.16	41.1	34.0	360
			200	60	130	0.090	11.0	2700	70.6	2.00	.16	41.1	38.0	360
**	11925PB-B2K-EA-00	4710PS-22T-B20-B00	220	50	175	0.060	9.0	1900	49.4	1.40	.08	19.6	29.0	360
			220	60	175	0.050	8.0	2100	53.0	1.50	.086	21.5	30.0	360
**	11925PB-B2L-EA-00	4710PS-22T-B30-B00	220	50	175	0.100	14.0	2300	63.5	1.80	.16	41.1	34.0	360
			220	60	175	0.080	11.0	2700	70.6	2.00	.16	41.1	38.0	360
**	11925PB-B3K-EA-00	4710PS-23T-B20-A00	230	50	175	0.060	9.0	1900	49.4	1.40	.09	23.5	29.0	360
			230	60	175	0.050	8.0	2100	53.0	1.50	.08	21.5	30.0	360
	11925PB-B3L-EA-00	4710PS-23T-B30-A00	230	50	175	0.100	14.0	2300	63.5	1.80	.16	41.1	34.0	360
			230	60	175	0.090	11.0	2700	70.6	2.00	.16	41.1	38.0	360
	11925PB-B4K-EA-00	4710PS-24T-B20-A00	240	50	140	0.060	9.0	1900	49.4	1.40	.08	19.6	29.0	360
			240	60	140	0.050	8.0	2100	53.0	1.50	.086	21.5	30.0	360
**	11925PB-B4L-EA-00	4710PS-24T-B30-A00	240	50	130	0.100	15.0	2300	60.0	1.70	.16	41.1	34.0	360
			240	60	130	0.080	13.0	2700	70.6	2.00	.16	41.1	38.0	360

Rotation: Counterclockwise  
 \*\* Contact NMB for Availability

Airflow Outlet: Air Out Over Struts

\*1: Maximum Values in Free Air  
 \*2: Average Values in Free Air  
 \*3: Minimum Values in Free Air