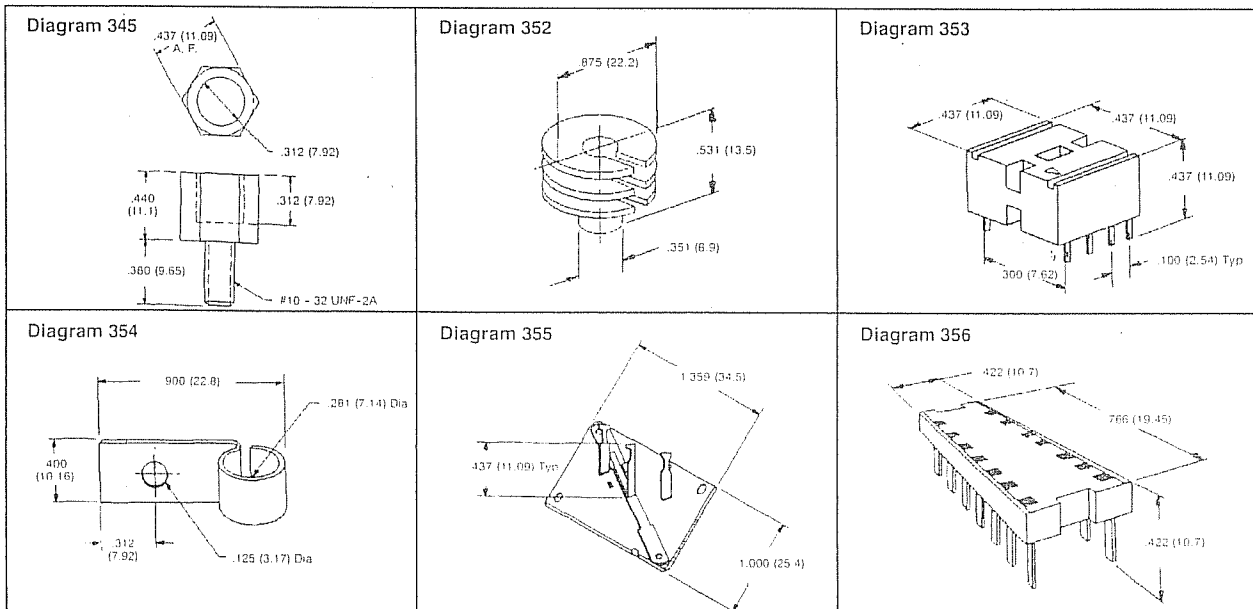


HARDWARE & ACCESSORIES

NTE Type Number	Diagram Number	Quantity Per Pkg	SOCKETS
NTE209	355	2	Socket for TO3 Type Package
NTE409	356	2	Socket for 14 Lead DIP Type Package
NTE416	357	2	Socket for 16 Lead DIP Type Package
NTE417	368	2	Socket for 3 Lead TO18/TO92 Type Package
NTE419	370	2	Socket for 3 Lead TO5 Type Package
NTE421	372	2	Socket for TO66 Type Package
NTE423	353	2	Socket for 8 Lead DIP Type Package
NTE428	358	2	Socket for 24 Lead DIP Type Package
NTE429	359	2	Socket for 28 Lead DIP Type Package
NTE430	360	1	Socket for 40 Lead DIP Type Package
NTE435K28	561	2	Socket for 28 Lead DIP Type Package, 0.070 (1.78) Lead Spacing
NTE435K30	562	2	Socket for 30 Lead DIP Type Package, 0.070 (1.78) Lead Spacing
NTE435K42	563	1	Socket for 42 Lead DIP Type Package, 0.070 (1.78) Lead Spacing
NTE435K52	632	1	Socket for 52 Lead DIP Type Package, 0.070 (1.78) Lead Spacing
NTE435K64	564	1	Socket for 64 Lead DIP Type Package, 0.070 (1.78) Lead Spacing
NTE435P6	524	2	Socket for 6 Lead DIP Type Package
NTE435P18	374	2	Socket for 18 Lead DIP Type Package
NTE435P20	375	2	Socket for 20 Lead DIP Type Package
NTE435P22	376	2	Socket for 22 Lead DIP Type Package
NTE435P42	588	1	Socket for 42 Lead DIP Type Package
NTE436W8	525	2	Socket for 8 Lead DIP Type Package, Wire Wrap Leads
NTE436W14	526	2	Socket for 14 Lead DIP Type Package, Wire Wrap Leads
NTE436W16	527	2	Socket for 16 Lead DIP Type Package, Wire Wrap Leads
NTE436W18	528	2	Socket for 18 Lead DIP Type Package, Wire Wrap Leads
NTE436W20	529	1	Socket for 20 Lead DIP Type Package, Wire Wrap Leads
NTE436W22	530	1	Socket for 22 Lead DIP Type Package, Wire Wrap Leads
NTE436W24	531	1	Socket for 24 Lead DIP Type Package, Wire Wrap Leads
NTE436W28	532	1	Socket for 28 Lead DIP Type Package, Wire Wrap Leads
NTE436W40	533	1	Socket for 40 Lead DIP Type Package, Wire Wrap Leads
			HARDWARE
NTE426	-	2	Metric Hardware Kit (Includes 3mm Nuts and Bolts)
NTE432	361	2	Thread Converter (Converts 3/8-24 to 1/2-20)
NTE433	418	1	High Voltage Splices for CRT Anode Leads (40KV Insulation)

DIMENSIONAL OUTLINE DRAWINGS



See Diagrams, beginning on Page 1-338

DIMENSIONAL OUTLINE DRAWINGS

Diagram 357

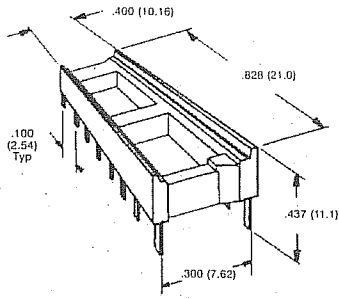


Diagram 520

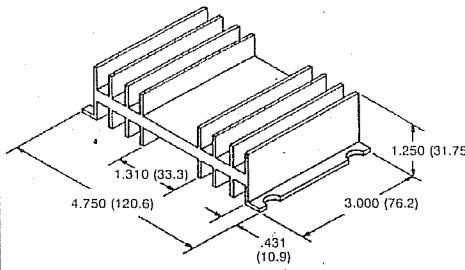


Diagram 521

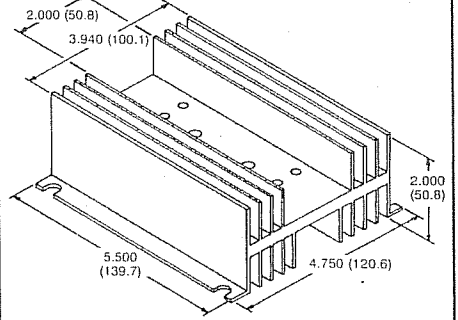


Diagram 524

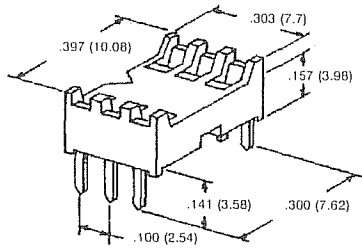


Diagram 525

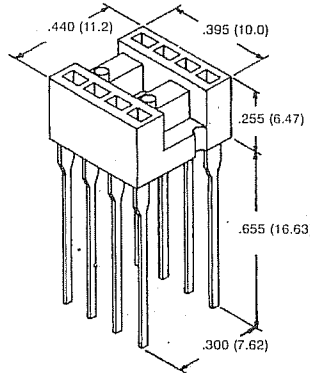


Diagram 526

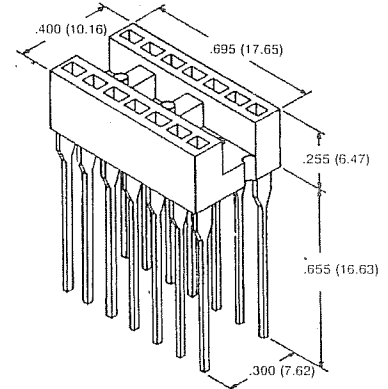


Diagram 527

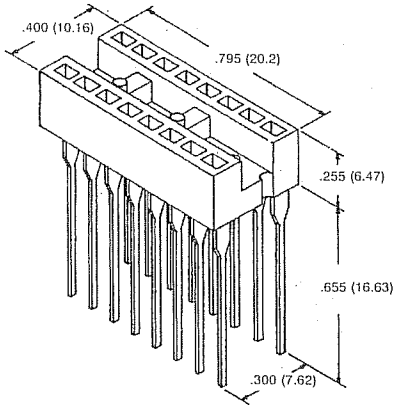


Diagram 528

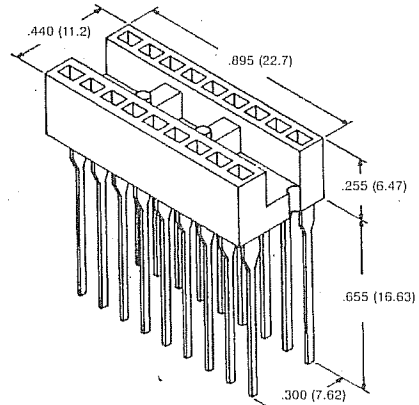


Diagram 529

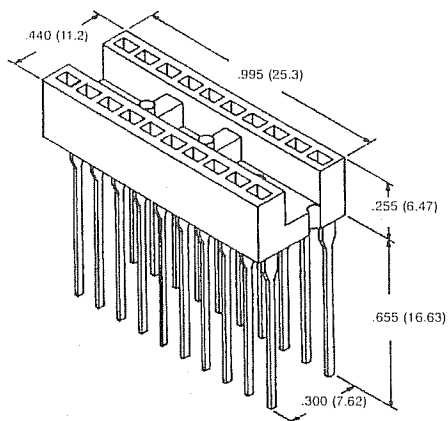


Diagram 530

