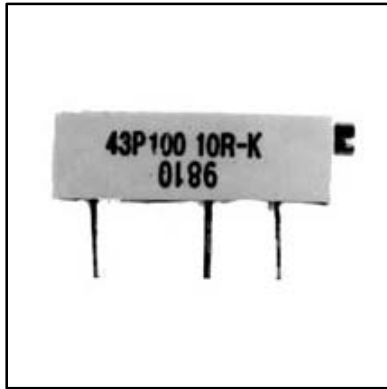


Features

- Multifinger wiper for better contact resistance variation
- Unique "T" slider block for excellent stability and setability
- Chevron shaft for sealing and smooth constant torque
- IC style pins for easier board insertion

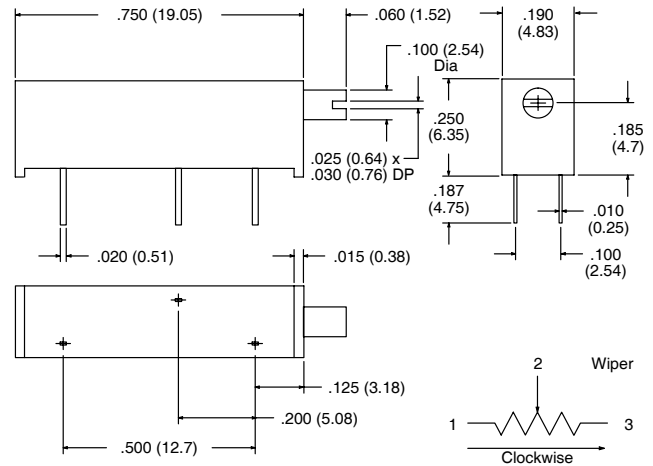


| Spectrol No. | NTE Part No. | Value (Ohms) | Diag No. |
|--------------|--------------|--------------|----------|
| 43P-100 | 500-0001 | 10 | T1 |
| 43P-200 | 500-0002 | 20 | T1 |
| 43P-500 | 500-0003 | 50 | T1 |
| 43P-101 | 500-0004 | 100 | T1 |
| 43P-201 | 500-0005 | 200 | T1 |
| 43P-501 | 500-0006 | 500 | T1 |
| 43P-102 | 500-0007 | 1K | T1 |
| 43P-202 | 500-0008 | 2K | T1 |
| 43P-502 | 500-0009 | 5K | T1 |
| 43P-103 | 500-0010 | 10K | T1 |
| 43P-203 | 500-0011 | 20K | T1 |
| 43P-253 | 500-0012 | 25K | T1 |
| 43P-503 | 500-0013 | 50K | T1 |
| 43P-104 | 500-0014 | 100K | T1 |
| 43P-204 | 500-0015 | 200K | T1 |
| 43P-254 | 500-0016 | 250K | T1 |
| 43P-504 | 500-0017 | 500K | T1 |
| 43P-105 | 500-0018 | 1M | T1 |
| 43P-205 | 500-0019 | 2M | T1 |

Spectrol 43P Series

Trimmer – 3/4" rectangular, multiturn cermet

T1



Specifications

Electrical

Effective Travel: 20 turns nom

Resistance Range: 10Ω to 2 Meg Ω

Resistance Tolerance: ±10%

End Resistance: 2Ω max

Temperature Coefficient of Resistance:

±100 ppm/°C. 100Ω to 2 Meg Ω

-100 to +200 ppm/°C. 10Ω, 20Ω, and 50Ω

Power Rating: 3/4 Watt @ 70°C derated to 0 Watts @ 125°C

Dielectric Withstanding Voltage:

1000V AC at sea level

250V AC at 80,000 feet (24,400 meters)

Insulation Resistance: 1000 Meg Ω min

Contact Resistance Variation: 1% or 1Ω, whichever is greater

Mechanical

Stop: Wiper idles against stops

Operating Torque: 22.5mNm max

Rotation Life: 200 cycles min with max change of ±2% in total resistance

Resistance Element: Cermet

Setability: ±0.05% RT

Environmental

Operating Temperature: -55°C to +125°C

Electrical Endurance: 1000 hour

Mechanical Life: 200 cycles