

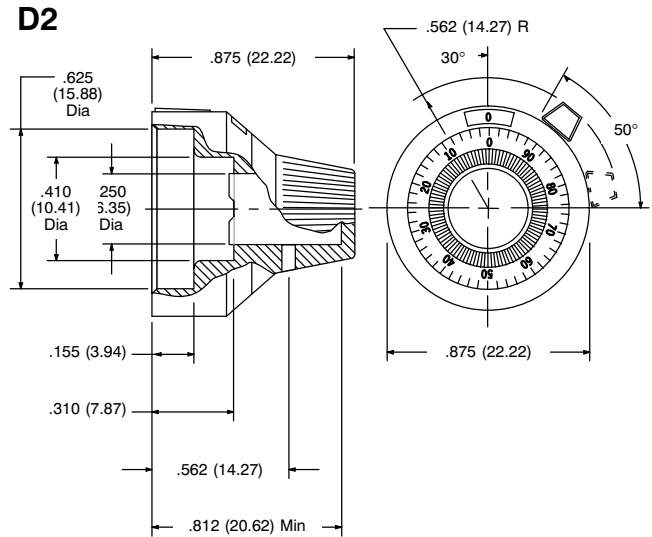
Features

- Vernier Scale
- No. 2-56 Spline Socket Set Screw for Mounting
- Brake Lever Knob
- Open Window Display
- Available in Two Finish Types:
Satin Chrome Finish, Black Markings (503-0004)
Black Chrome Finish, White Markings (503-0005)



Spectrol Model 16

Dial - 7/8" diameter, 1/4" dia shaft



Note: Mounting bracket may vary

| Spectrol No. | NTE Part No. | Numeric Display | No. of Turns | Diag No. |
|--------------|--------------|-----------------|--------------|----------|
| 18-1-11** | 503-0004 | Vernier Scale | 15 | D2 |
| 16-1-21 | 503-0005 | Vernier Scale | 15 | D2 |

NEW

** 16-1-11 has been discontinued by Spectrol and has been replaced by 18-1-11.

Specifications

Operation

Readout and Operation: Unit shall register a total count of 15 turns. The number in the window (0 thru 14) indicates completed number of turns of the drive sleeve. Graduated circular dial indicates the percent of a partial turn of the drive sleeve.

Minor Scale Division: 1/50 turn

Indication: 0 to 14.99 turn

Brake Lever: 1st position (15° movement of brake lever) operates a high torque system for fine adjustment; 2nd position (15° additional movement of brake lever) actuates brake.

Accuracy: Backlash shall be zero between graduated dial and drive sleeve

Rotation: The indication shall increase with clockwise and decrease with a counterclockwise rotation.

Transfer Point: The number in the center of the window shall change as graduated dial rotates between 94 and 0.

Mechanical

Shaft Bore: 0.250"

Runout: 0.004 in/in (Note 1)

Mounting: Install mounting bracket (included) between panel and panel nut. Multidial shall mount directly to shaft with No. 2-56 spline socket set screw, located adjacent to No. 50 on graduated dial (hex key included).

Note 1. Dial to be free running and without binds when axis of drive sleeve is perpendicular to mounting surface within the specified dimension.