

# Nylon Mounting Pads

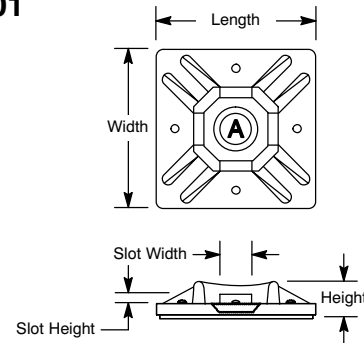


## Features

- Patented Stay-n-Place Tab keeps Cable Tie Head from Sliding Down behind Bundle during Vertical Applications and maintains Placement during Horizontal Applications
- Patented Lead-n-Feature Funnels Cable Tie into Position and Countersunk Screw Hole allows Cable Tie to easily Pass Over Screw Head
- 4-Sided Entry and Center Screw Hole Saves Positioning Time



## MP-01



## Color Code Chart

0	Black	9	Natural
---	-------	---	---------

## Rubber Adhesive Mounting Pads

NTE Type No.	Square (in. / mm)	Height (in. / mm)	Slot Height (in. / mm)	Slot Width (in. / mm)	Screw Size	Qty. per Bag	Diag No.
04-MP750x	.740 / 18.79	.190 / 4.82	.050 / 1.27	.200 / 5.08	#4	100	MP-01
04-MP1000x	.990 / 25.14	.200 / 5.08	.060 / 1.52	.200 / 5.08	#6	100	MP-01

## Acrylic Adhesive Mounting Pads

NTE Type No.	Square (in. / mm)	Height (in. / mm)	Slot Height (in. / mm)	Slot Width (in. / mm)	Screw Size	Qty. per Bag	Diag No.
04-MPA750x	.740 / 18.79	.190 / 4.82	.050 / 1.27	.200 / 5.08	#4	100	MP-01
04-MPA1000x	.990 / 25.14	.200 / 5.08	.060 / 1.52	.200 / 5.08	#6	100	MP-01

## Non-Taped Mounting Pads

NTE Type No.	Square (in. / mm)	Height (in. / mm)	Slot Height (in. / mm)	Slot Width (in. / mm)	Screw Size	Qty. per Bag	Diag No.
04-MP750NTx	.740 / 18.79	.190 / 4.82	.050 / 1.27	.200 / 5.08	#4	100	MP-01
04-MP1000NTx	.990 / 25.14	.200 / 5.08	.060 / 1.52	.200 / 5.08	#6	100	MP-01

Note 1. Replace "x" in device number with corresponding color code from the "Color Code Chart".