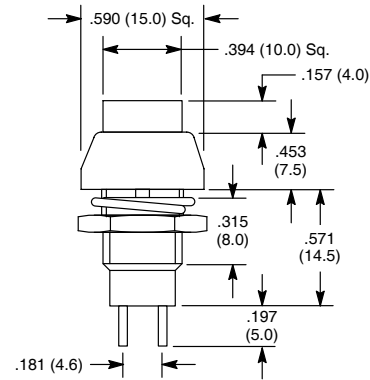


Pushbutton, Single Pole



S73



| NTE Type No. | Circuitry | Action | | Actuator | | Diag No. |
|--------------|-----------|--------|------|-----------|-------|----------|
| | | | | Material | Color | |
| 54-389 | SPST | OFF | (ON) | ABS Resin | Black | S73 |

SPECIAL NOTE: () = Momentary Function

Specifications

Current Rating: 3A 125VAC, 1A 250VAC

Insulation Resistance: 100 Megohms (min.) at 500VDC

Dielectric Strength: 1500V RMS (min.)

Temperature Rating: +14°F to +131°F (-10°C to +55°C)

Electrical Life: 50,000 cycles

Mechanical Life: 100,000 cycles

Terminal Type: Solder Lug

Mounting Hole: .402 (10.2)